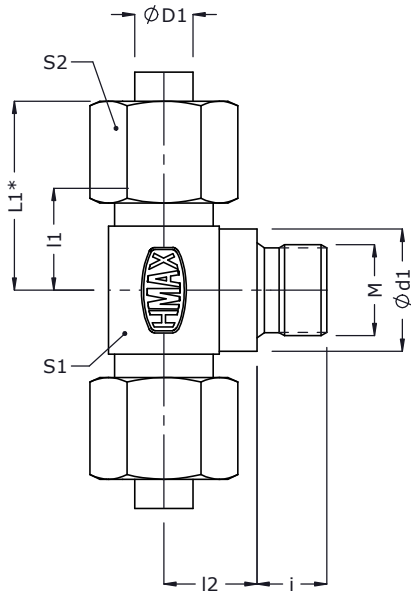




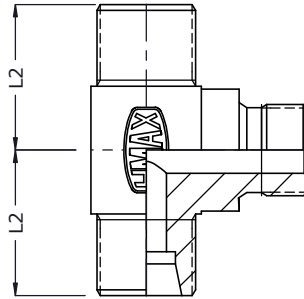
Male Stud Branch Tee Couplings - MSBT-M (BAR-STOCK)

ISO fittings

Metric Tube end as per ISO 8434
and Metric (M) stud end



2D Assembly



2D Body

Series	Tube od ØD1	M Male Metric thread	Ød1	i	l1	l2	L1*	L2	S1	S2	Assembly		Body
											Part code	Item no_	Item no_
160 bar	22	M26 x 1.5	32	16	27.5	26	44.5	35	32	36	MSBT22LM26-F	468	1343
Light (L) 100 bar	28	M33 x 2.0	39	18	30.5	30	48.5	38	41	41	MSBT28LM33-F	469	1344
	35	M42 x 2.0	49	20	34.5	34	57.5	45	50	50	MSBT35LM42-F	470	1345
Heavy (S) 400 bar	42	M48 x 2.0	55	22	40.0	39	63.5	51	55	60	MSBT42LM48-F	471	1346
	20	M27 x 2.0	32	16	26.5	26	49.0	37	32	36	MSBT20SM27-F	472	1347
250 bar	25	M33 x 2.0	39	18	30.0	30	55.0	42	41	46	MSBT25SM33-F	473	1348
	30	M42 x 2.0	49	20	35.5	34	63.5	49	50	50	MSBT30SM42-F	474	1349
	38	M48 x 2.0	55	22	41.0	39	72.5	57	55	60	MSBT38SM48-F	475	1350

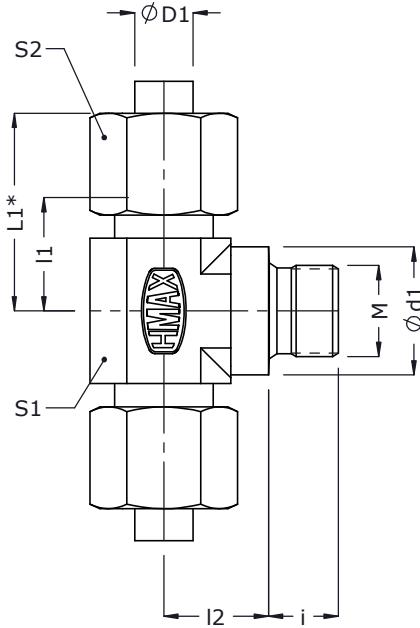
* Dimensions given are approx figures with tightened nut.



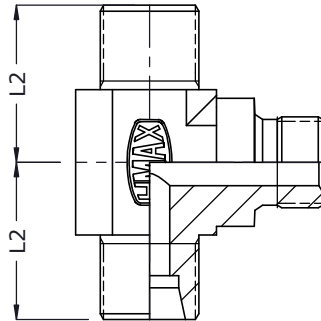
Male Stud Branch Tee Couplings - MSBT-M (FORGED)

Metric Tube end as per ISO 8434
and Metric (M) stud end

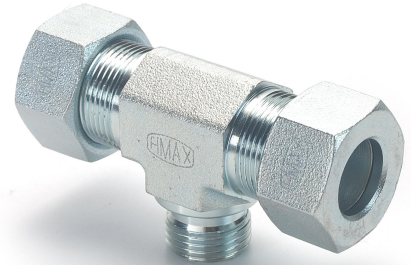
ISO fittings



2D Assembly



2D Body



Series	Tube od ØD1	M Male Metric thread	Ød1	i	I1	I2	L1*	L2	S1	S2	Assembly		Body
											Part code	Item no_	Item no_
160 bar	22	M26 x 1.5	32	16	27.5	26	44.5	35	32	36	MSBT22LM26	496	1370
Light (L) 100 bar	28	M33 x 2.0	39	18	30.5	30	48.5	38	41	41	MSBT28LM33	497	1371
	35	M42 x 2.0	49	20	34.5	34	57.5	45	50	50	MSBT35LM42	498	1372
Heavy (S) 400 bar	42	M48 x 2.0	55	22	40.0	39	63.5	51	55	60	MSBT42LM48	499	1373
	20	M27 x 2.0	32	16	26.5	26	49.0	37	32	36	MSBT20SM27	500	1374
250 bar	25	M33 x 2.0	39	18	30.0	30	55.0	42	41	46	MSBT25SM33	501	1375
	30	M42 x 2.0	49	20	35.5	34	63.5	49	50	50	MSBT30SM42	502	1376
	38	M48 x 2.0	55	22	41.0	39	72.5	57	55	60	MSBT38SM48	503	1377

* Dimensions given are approx figures with tightened nut.