

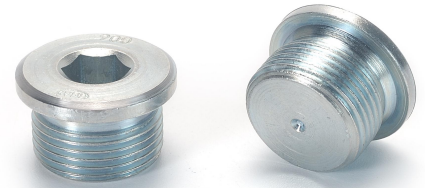
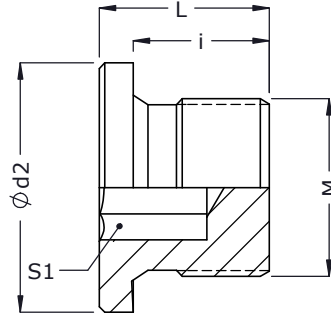


PLUGS - P

ISO fittings

SHP - M

Socket Head Plug
Male thread : Metric (M) - ISO 261



2D Body

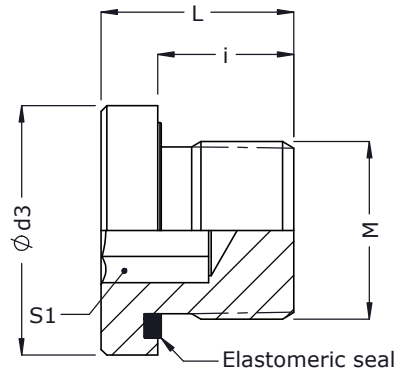
Working Pressure (bar)	'M' Male thread Metric	Ø d2	i	L	S1	Tightening Torque N-m	Body	
							Part code	Item no
400	M10 X 1.0	14	8	12.3	5	12	SHPM10	1911
400	M12 X 1.5	17	12	17.3	6	25	SHPM20	1912
400	M14 X 1.5	19	12	17.3	6	35	SHPM14	1913
400	M16 X 1.5	22	12	17.3	8	50	SHPM16	1914
400	M18 X 1.5	24	12	17.3	8	60	SHPM18	1915
400	M20 X 1.5	26	14	19.3	10	70	SHPM20	1916
400	M22 X 1.5	27	14	19.3	10	80	SHPM22	1917
160	M26 X 1.5	32	16	21.3	12	120	SHPM26	1918
400	M27 X 2.0	32	16	21.3	12	135	SHPM27	1919
400	M33 X 2.0	40	16	22.8	17	225	SHPM33	1920
250	M42 X 2.0	50	16	22.8	22	360	SHPM42	1921
250	M48 X 2.0	55	16	22.8	24	400	SHPM48	1922

S1 - Hex Broach Size

SHP - M - ES

Socket Head Plug with Elastomeric seal
Male thread : Metric (M) - ISO 261

For, Elastomeric Seal details Refer page No_ 82.



2D Body

Working Pressure (bar)	'M' Male thread Metric	Ø d3	i	L	S1	Tightening Torque N-m	Body	
							Part code	Item no
400	M10 X 1.0	14	8	12.3	5	20	SHPM10ES	1923
400	M12 X 1.5	17	12	17.3	6	30	SHPM12ES	1924
400	M14 X 1.5	19	12	17.3	6	45	SHPM14ES	297
400	M16 X 1.5	22	12	17.3	8	60	SHPM16ES	252
400	M18 X 1.5	24	12	17.3	8	80	SHPM18ES	1925
400	M20 X 1.5	26	14	19.3	10	100	SHPM20ES	253
400	M22 X 1.5	27	14	19.3	10	80	SHPM22ES	298
160	M26 X 1.5	32	16	21.3	12	120	SHPM26ES	1926
400	M27 X 2.0	32	16	21.3	12	135	SHPM27ES	1927
400	M33 X 2.0	40	16	22.8	17	225	SHPM33ES	1928
250	M42 X 2.0	50	16	22.8	22	360	SHPM42ES	1929
250	M48 X 2.0	55	16	22.8	24	400	SHPM48ES	1930

S1 - Hex Broach Size