

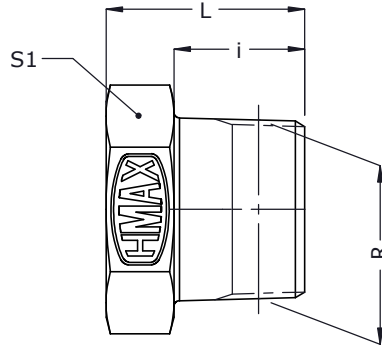


# PLUGS - P

ISO fittings

## HHP - R

Hex Head Plug  
Male thread : BSPT Taper (R)

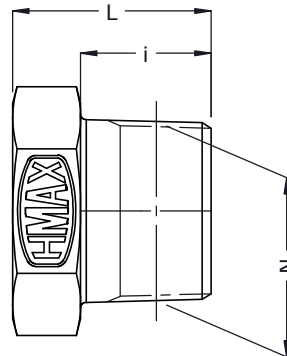


2D Body

'R' Male thread BSPT	L	i	S1	Part code	Item no_
R 1/8"-28	11.5	7.5	12	HHPR01	179
R 1/4"-19	17.0	11.0	14	HHPR02	181
R 3/8"-19	17.5	11.5	19	HHPR03	182
R 1/2"-14	25.0	15.0	22	HHPR04	183
R 3/4"-14	26.5	16.5	30	HHPR06	184
R 1"-11	31.0	19.0	36	HHPR08	185
R 1.1/4"-11	35.0	21.5	46	HHPR10	186
R 1.1/2"-11	35.0	21.5	50	HHPR12	187

## HHP - N

Hex Head Plug  
Male thread : NPTF (SAE J476)



2D Body

'N' Male thread NPTF	L	i	S1	Part code	Item no_
N 1/8" - 27	14.5	9.7	12	HHPN01	1939
N 1/4" - 18	19.0	14.2	17	HHPN02	1940
N 3/8" - 18	19.5	14.2	19	HHPN03	1941
N 1/2" - 14	24.0	19.05	24	HHPN04	1942
N 3/4" - 14	27.0	19.05	30	HHPN06	1943
N 1" - 11 1/2	32.0	23.9	36	HHPN08	1944
N 1.1/4" - 11 1/2	32.5	24.6	46	HHPN10	1945
N 1.1/2" - 11 1/2	35.0	25.4	50	HHPN12	1946
N 2" - 11 1/2	38.0	26.2	65	HHPN16	1947