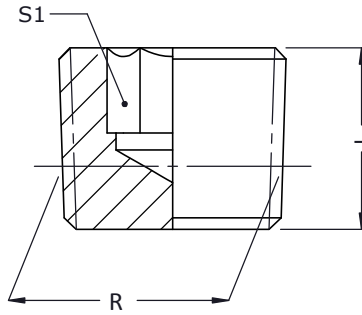




# PLUGS - P

ISO fittings

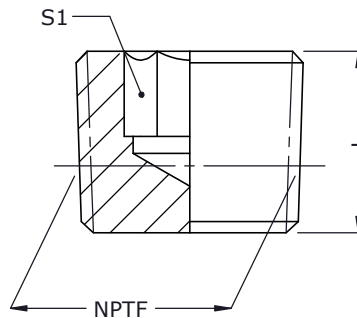
**GS - R**  
Grub Screw  
Male thread : BSP Tape (R)



2D Body

| 'R' Male thread<br>BSPT | L    | S1 | Part code | Item no_ |
|-------------------------|------|----|-----------|----------|
| R 1/8"-28               | 8.0  | 5  | SHPR01    | 1931     |
| R 1/4"-19               | 10.0 | 7  | SHPR02    | 1932     |
| R 3/8"-19               | 10.0 | 8  | SHPR03    | 1933     |
| R 1/2"-14               | 10.0 | 10 | SHPR04    | 1934     |
| R 3/4"-14               | 12.0 | 12 | SHPR06    | 1935     |
| R 1"-11                 | 12.0 | 17 | SHPR08    | 1936     |
| R 1.1/4"-11             | 18.0 | 22 | SHPR10    | 1937     |
| R 1.1/2"-11             | 20.0 | 24 | SHPR12    | 1938     |
| S1 - Hex Broach Size    |      |    |           |          |

**GS - N**  
Grub Screw  
Male thread : NPTF(SAE J476)



2D Body

| 'N' Male thread<br>NPT | L    | S1 | Part code | Item no_ |
|------------------------|------|----|-----------|----------|
| N 1/8" - 27            | 7.8  | 5  | SHPN01    | 1210     |
| N 1/4" - 18            | 12.0 | 6  | SHPN02    | 908      |
| N 3/8" - 18            | 12.0 | 8  | SHPN03    | 1948     |
| N 1/2" - 14            | 16.0 | 10 | SHPN04    | 909      |
| N 3/4" - 14            | 16.2 | 14 | SHPN06    | 1943     |
| N 1" - 11 1/2          | 20.0 | 14 | SHPN08    | 1950     |
| N 1.1/4" - 11 1/2      | 20.0 | 22 | SHPN10    | 1251     |
| N 1.1/2" - 11 1/2      | 20.0 | 30 | SHPN12    | 1952     |
| N 2" - 11 1/2          | 21.0 | 30 | SHPN16    | 1953     |
| S1 - Hex Broach Size   |      |    |           |          |