

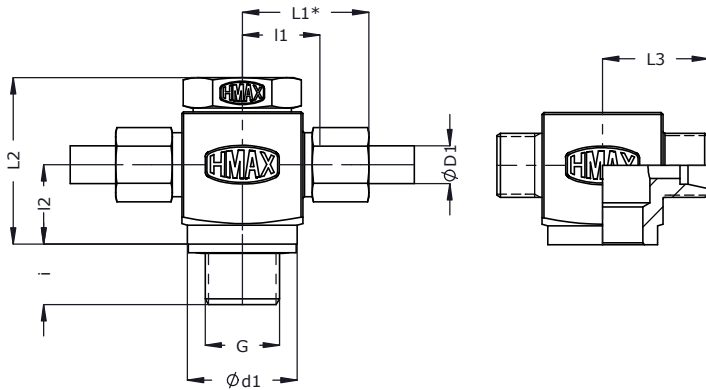


Banjo Couplings - BC

(Tee Banjo Body - BTC)
(Bar Stock)

Metric Tube end as per ISO 8434
Male stud - BSPP(G) thread

ISO fittings



2D Assembly

2D Body

Series	Tube od ØD1	BSP thread G	Ød1	i	l1	l2	L1*	L2	L3	S1	S2	S3	Assembly		Body
													Part code	Item no	Item no
Light (L) 250 bar	6	G 1/8 A	15	8	12.5	12.0	27.5	28.0	19.5	19	19	14	BTC6LG01	701	1682
	8	G 1/4 A	20	12	14.0	15.0	29.0	33.0	21.0	19	22	17	BTC8LG02	702	1683
	10	G 1/4 A	20	12	15.0	15.0	31.0	33.0	22.0	19	22	19	BTC10LG02	703	1684
	12	G 3/8 A	24	12	17.5	18.0	32.5	40.0	24.5	22	27	22	BTC12LG03	704	1685
	15	G 1/2 A	29	14	20.0	21.0	36.0	45.0	27.0	27	30	27	BTC15LG04	705	1686
100 bar	18	G 1/2 A	29	14	19.5	21.0	37.0	45.0	27.0	27	30	32	BTC18LG04	706	1687
	22	G 3/4 A	35	16	27.0	24.0	44.5	53.0	34.5	32	41	36	BTC22LG06	708	1688
100 bar	28	G 1 A	43	18	29.5	29.5	48.0	63.5	37.0	41	46	41	BTC28LG08	708	1689
	35	G1 1/4 A	53	20	35.0	33.0	57.5	74.0	45.5	50	55	50	BTC35LG10	709	1690
	42	G1 1/2 A	59	22	40.0	38.5	63.0	83.0	51.0	60	70	60	BTC42LG12	710	1691
Heavy (S) 400 bar	6	G 1/4 A	20	12	16.0	15.0	31.0	33.0	23.0	19	22	17	BTC6SG02	711	1692
	8	G 1/4 A	20	12	16.0	15.0	31.0	33.0	23.0	19	22	19	BTC8SG02	712	1693
	10	G 3/8 A	24	12	18.0	18.0	35.5	40.0	25.5	22	27	22	BTC10SG03	713	1694
	12	G 3/8 A	24	12	18.0	18.0	34.5	40.0	25.5	22	27	24	BTC12SG03	714	1695
400 bar	16	G 1/2 A	29	14	21.5	21.0	41.0	45.0	30.0	27	32	30	BTC16SG04	715	1696
	20	G 3/4 A	35	16	28.0	24.0	50.5	53.0	38.5	32	41	36	BTC20SG06	716	1697
	25	G 1 A	43	18	31.0	29.5	56.0	63.5	43.0	41	50	46	BTC25SG08	718	1698
250 bar	30	G1 1/4 A	53	20	36.5	33.0	65.0	74.0	50.0	50	60	50	BTC30SG10	719	1699
	38	G1 1/2 A	59	22	41.0	38.5	73.0	83.0	57.0	60	70	60	BTC38SG12	720	1700

* Dimensions given are approx figures with tightened nut.