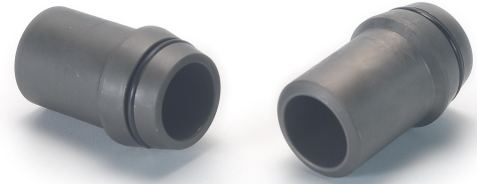
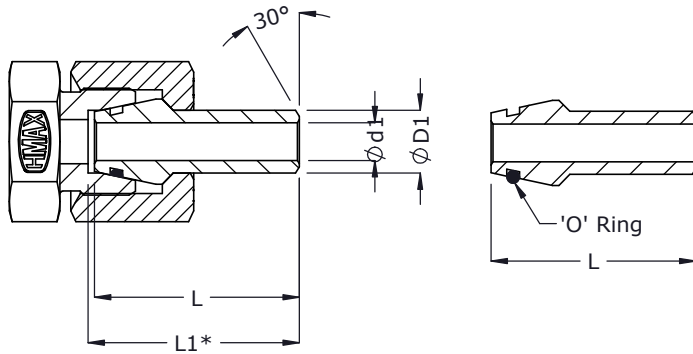




Weldable Nipples - WNP

ISO fittings



2D Assembly

2D Body

Series	Max Pr (bar)	Tube size od x Wall	O-Ring Id x CSD	ØD1	Ød1	L	*L1	Assembly		Body
								Part code	Item no	Item no
Light (L)	160	15 x 2.5	12 x 2.0	15	10	34.5	35.0	WNP1525	1010	541
	160	18 x 2.5	15 x 2.0	18	13	36.5	37.0	WNP1825	1012	542
	160	22 x 2.5	20 x 2.0	22	17	39.0	39.5	WNP2225	1015	452
	100	28 x 2.5	26 x 2.0	28	23	41.5	42.5	WNP2825	1016	1722
	100	35 x 3.0	32 x 2.5	35	29	48.5	49.5	WNP3530	1019	1725
	100	42 x 3.0	38 x 2.5	42	36	49.0	50.0	WNP4230	1023	1728
Heavy(S)	630	6.0 x 1.75	4.0 x 2.5	6	2.5	31.5	32.0	WNP6175	1026	1730
	630	8.0 x 2.0	6.0 x 1.5	8	4.0	31.0	32.0	WNP820	1029	457
	400	10 x 2.0	7.5 x 1.5	10	6	32.5	33.5	WNP1020	1032	463
	630	10 x 2.5			5			WNP1025	1031	459
	315	12 x 2.0	9.0 x 1.5	12	8	32.5	33.5	WNP1220	1034	307
	400	12 x 2.5			7			WNP1225	1035	1731
	315	16 x 2.5	12.0 x 2.0	16	11	39.5	40.5	WNP1625	1038	450
	400	16 x 3.0			10			WNP1630	1039	451
	315	20 x 3.0	16.3 x 2.4	20	14	46.5	47.0	WNP2030	1042	1736
	400	20 x 4.0			12			WNP2040	1043	911
	250	25 x 3.0	20.3 x 2.4	25	19	52.5	53.5	WNP2530	1044	454
	315	25 x 4.0			17			WNP2540	1045	460
	400	25 x 4.5			16			WNP2545	1046	1737
	160	30 x 3.0	25.3 x 2.4	30	24	56.5	57.5	WNP3030	1047	464
	250	30 x 4.0			22			WNP3040	1048	465
	160	38 x 3.0	33.3 x 2.4	38	32	63.5	64.5	WNP3830	1053	1741
	250	38 x 5.0			28			WNP3850	1052	920

* Dimensions given are approx figures with tightened nut.