

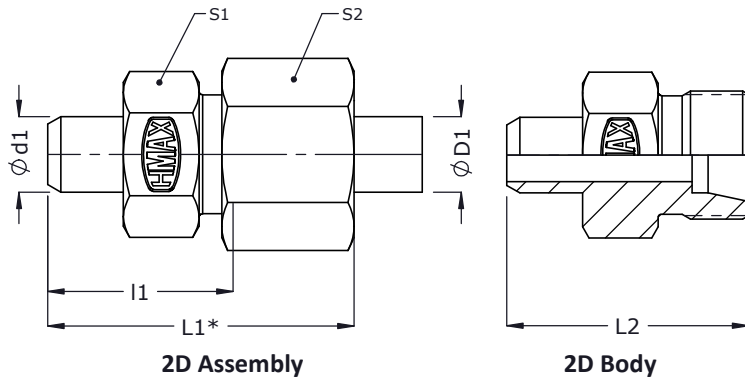


Weld Couplings - WC

(Equal size Tubes - WCE)

ISO fittings

Metric Tube end as per ISO 8434



Series	Tube od $\phi D1$	$\phi d1$	l1	L1*	L2	S1	S2	Assembly		Body
								Part code	Item no_	Item no_
Light (L) 250 bar	6	6	14.0	29.5	21	12	14	WCE06L	187	1286
	8	8	16.0	31.0	23	14	17	WCE08L	188	1287
	10	10	18.0	33.5	25	17	19	WCE10L	189	1288
	12	12	18.0	33.0	25	19	22	WCE12L	190	1289
	15	15	22.0	38.0	29	22	27	WCE15L	191	1290
160 bar	18	18	23.5	40.5	31	27	32	WCE18L	192	1291
	22	22	28.5	45.5	36	32	36	WCE22L	193	1292
100 bar	28	28	30.5	48.5	38	41	41	WCE28L	194	522
	35	35	32.5	55.5	43	46	50	WCE35L	195	1293
	42	42	35.0	58.5	46	55	60	WCE42L	196	523
Heavy (S) 630 bar	6	6	19.0	34.5	26	14	17	WCE06S	197	1294
	8	8	21.0	36.0	28	17	19	WCE08S	198	1295
	10	10	22.5	39.5	30	19	22	WCE10S	199	1296
	12	12	24.5	41.0	32	22	24	WCE12S	200	1297
400 bar	16	16	26.5	45.5	35	27	30	WCE16S	201	926
	20	20	29.5	52.0	40	32	36	WCE20S	202	927
	25	25	32.0	57.0	44	41	46	WCE25S	203	928
250 bar	30	30	35.5	63.5	49	46	50	WCE30S	204	929
	38	38	38.0	69.5	54	55	60	WCE38S	205	930

* Dimensions given are approx figures with tightened nut.