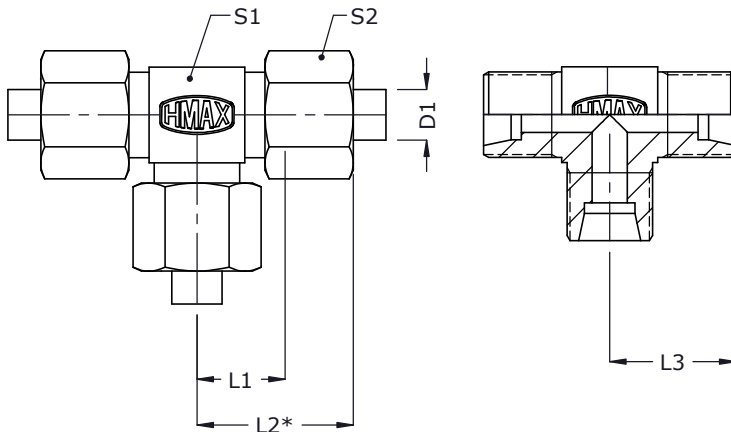




# Equal Tee Couplings - ET (BAR-STOCK)

ISO fittings

Metric Tube end as per ISO 8434



2D Assembly

2D Body

Series	Tube od D1	L1	L2*	L3	S1	S2	Assembly		Body
							Part code	Item no_	Item no_
<b>Light (L) 250 bar</b>	6	12.0	27.5	19.0	12	14	ET6L-F	63	1236
	8	14.0	29.0	21.0	14	17	ET8L-F	64	1237
	10	15.0	30.5	22.0	17	19	ET10L-F	65	1238
	12	17.0	32.0	24.0	19	22	ET12L-F	66	1239
	15	21.0	37.0	28.0	22	27	ET15L-F	67	1240
<b>160 bar</b>	18	23.5	40.5	31.0	27	32	ET18L-F	68	1241
	22	27.5	44.5	35.0	30	36	ET22L-F	69	1242
<b>100 bar</b>	28	30.5	48.5	38.0	36	41	ET28L-F	70	1243
	35	34.5	57.5	45.0	46	50	ET35L-F	71	1244
	42	40.0	63.5	51.0	55	60	ET42L-F	72	1245
<b>Heavy (S) 630 bar</b>	6	16.0	31.5	23.0	14	17	ET6S-F	73	1246
	8	17.0	32.0	24.0	17	19	ET8S-F	74	1247
	10	17.5	34.5	25.0	19	22	ET10S-F	75	1248
	12	21.5	38.0	29.0	22	24	ET12S-F	76	1249
<b>400 bar</b>	16	24.5	43.5	33.0	24	30	ET16S-F	78	1250
	20	26.5	49.0	37.0	30	36	ET20S-F	79	1251
	25	30.0	55.0	42.0	36	46	ET25S-F	80	1252
<b>250 bar</b>	30	35.5	63.5	49.0	46	50	ET30S-F	81	1253
	38	41.0	72.5	57.0	55	60	ET38S-F	82	1254

\* Dimensions given are approx figures with tightened nut.

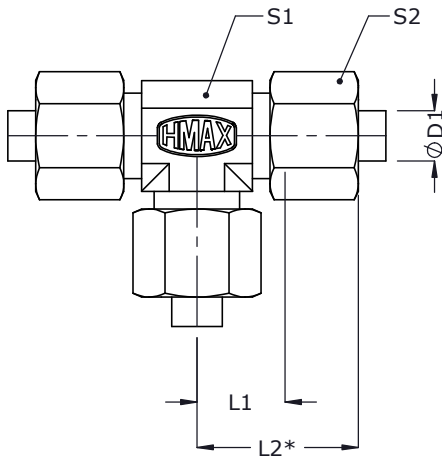


# Equal Tee Couplings - ET

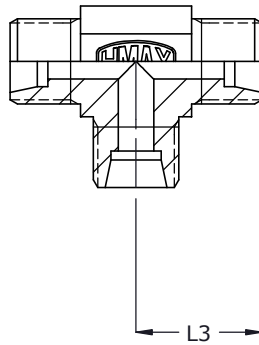
(FORGED)

ISO fittings

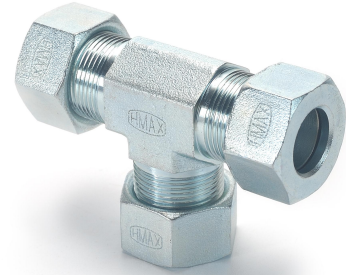
Metric Tube end as per ISO 8434



2D Assembly



2D Body



Series	Tube od ØD1	L1	L2*	L3	S1	S2	Assembly		Body
							Part code	Item no_	Item no_
<b>Light (L)</b> 250 bar	6	12.0	27.5	19.0	12	14	EE6L	83	1001
	8	14.0	29.0	21.0	14	17	EE8L	84	82
	10	15.0	30.5	22.0	17	19	EE10L	85	1002
	12	17.0	32.0	24.0	19	22	EE12L	86	1003
	15	21.0	37.0	28.0	22	27	EE15L	87	1004
<b>160 bar</b>	18	23.5	40.5	31.0	27	32	EE18L	88	1000
	22	27.5	44.5	35.0	30	36	EE22L	89	1005
<b>100 bar</b>	28	30.5	48.5	38.0	36	41	EE28L	90	1006
	35	34.5	57.5	45.0	46	50	EE35L	100	1007
	42	40.0	63.5	51.0	55	60	EE42L	101	1008
<b>Heavy (S)</b> 630 bar	6	16.0	31.5	23.0	14	17	EE6S	102	81
	8	17.0	32.0	24.0	17	19	EE8S	103	1011
	10	17.5	34.5	25.0	19	22	EE10S	104	1009
	12	21.5	38.0	29.0	22	24	EE12S	105	1185
<b>400 bar</b>	16	24.5	43.5	33.0	24	30	EE16S	106	1147
	20	26.5	49.0	37.0	30	36	EE20S	107	1148
	25	30.0	55.0	42.0	36	46	EE25S	108	1092
<b>250 bar</b>	30	35.5	63.5	49.0	46	50	EE30S	109	30
	38	41.0	72.5	57.0	55	60	EE38S	110	443

\* Dimensions given are approx figures with tightened nut.