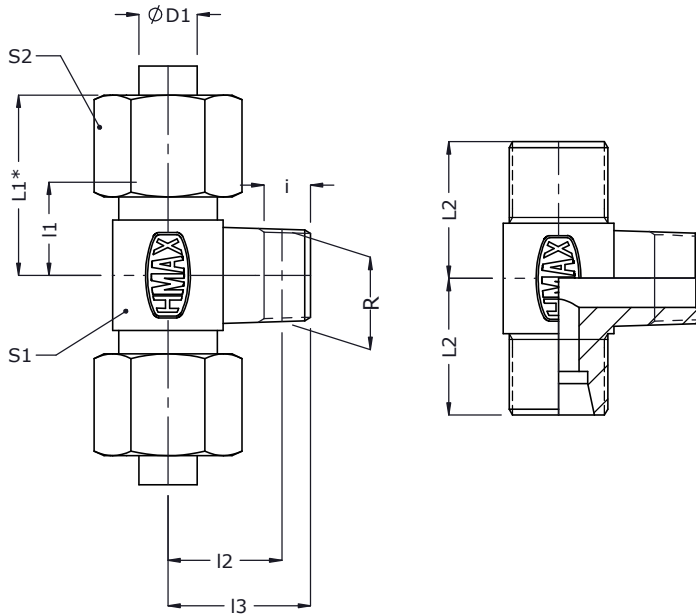




# Male Stud Branch Tee Couplings - MSBT-R (BAR-STOCK)

Metric Tube end as per ISO 8434  
and BSP Taper (R) stud end

ISO fittings



2D Assembly

2D Body

Series	Tube od ØD1	R Male BSPT thread	i	l1	l2 min	l2 max	l3	L1*	L2	S1	S2	Assembly		Body
												Part code	Item no	Item no
<b>Light (L) 250 bar</b>	6	R 1/8	7.5	13	16.1	17.9	21.0	28.5	20.0	12	14	MSBT06LR01-F	476	1351
	8	R 1/4	11	15.5	20.2	22.8	27.5	30.5	22.5	14	17	MSBT08LR02-F	477	1352
	10	R 1/4	11	15.0	19.7	22.3	27.0	30.5	22.0	17	19	MSBT10LR02-F	478	1353
	12	R 3/8	11.5	17.0	20.3	22.9	28.0	32.0	24.0	19	22	MSBT12LR03-F	479	1354
	15	R 1/2	15	22.0	25.0	28.6	35.0	38.0	29.0	22	27	MSBT15LR04-F	480	1355
<b>160 bar</b>	18	R 1/2	15	23.5	26.0	29.6	36.0	40.5	31.0	27	32	MSBT18LR04-F	481	1356
<b>Heavy (S) 630 bar</b>	6	R 1/4	11	17.5	18.7	21.3	26.0	33.0	24.5	14	17	MSBT06SR02-F	482	1357
	8	R 1/4	11	17.0	19.7	22.3	27.0	32.0	24.0	17	19	MSBT08SR02-F	483	1358
	10	R 3/8	11.5	17.5	20.3	22.9	28.0	34.5	25.0	19	22	MSBT10SR03-F	484	1359
	12	R 3/8	11.5	21.5	20.3	22.9	28.0	38.0	29.0	22	24	MSBT12SR03-F	485	1360
<b>400 bar</b>	16	R 1/2	15	26.0	23.5	27.1	33.5	45.0	34.5	24	30	MSBT16SR04-F	486	1361

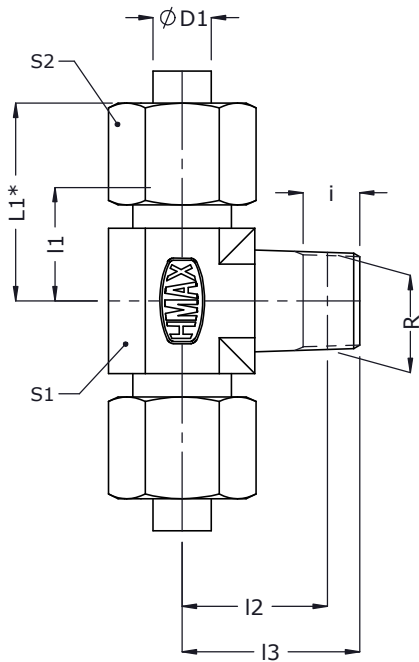
\* Dimensions given are approx figures with tightened nut.



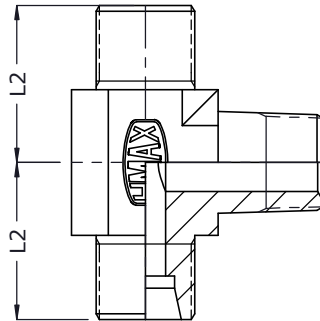
# Male Stud Branch Tee Couplings - MSBT-R (FORGED)

Metric Tube end as per ISO 8434 and BSP Taper (R) stud end

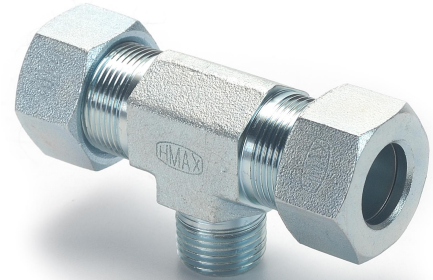
ISO fittings



2D Assembly



2D Body



Series	Tube od D1	R Male BSPT thread	i	I1	I2 min	I2 max	I3	L1*	L2	S1	S2	Assembly		Body
												Part code	Item no	Item no
<b>Light (L) 250 bar</b>	6	R 1/8	7.5	13	16.1	17.9	21.0	28.5	20.0	12	14	MSBT06LR01	504	1378
	8	R 1/4	11.0	15.5	20.2	22.8	27.5	30.5	22.5	14	17	MSBT08LR02	505	1119
	10	R 1/4	11.0	15.0	19.7	22.3	27.0	30.5	22.0	17	19	MSBT10LR02	506	1379
	12	R 3/8	11.5	17.0	20.3	22.9	28.0	32.0	24.0	19	22	MSBT12LR03	507	1380
	15	R 1/2	15.0	22.0	25.0	28.6	35.0	38.0	29.0	22	27	MSBT15LR04	508	1381
<b>160 bar</b>	18	R 1/2	15.0	23.5	26.0	29.6	36.0	40.5	31.0	27	32	MSBT18LR04	509	1382
<b>Heavy (S) 630 bar</b>	6	R 1/4	11.0	17.5	18.7	21.3	26.0	33.0	24.5	14	17	MSBT06SR02	510	1383
	8	R 1/4	11.0	17.0	19.7	22.3	27.0	32.0	24.0	17	19	MSBT08SR02	511	1384
	10	R 3/8	11.5	17.5	20.3	22.9	28.0	34.5	25.0	19	22	MSBT10SR03	512	1385
	12	R 3/8	11.5	21.5	20.3	22.9	28.0	38.0	29.0	22	24	MSBT12SR03	513	1386
<b>400 bar</b>	16	R 1/2	15.0	26.0	23.5	27.1	33.5	45.0	34.5	24	30	MSBT16SR04	514	1387

\* Dimensions given are approx figures with tightened nut.