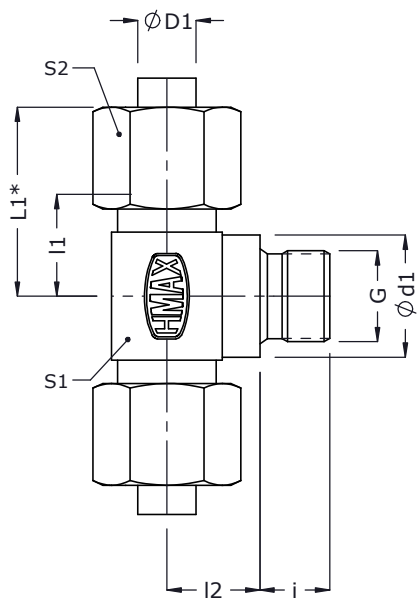




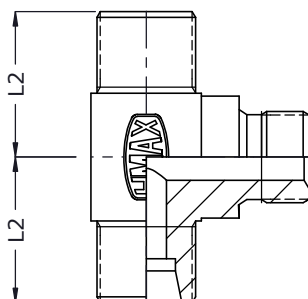
Male Stud Branch Tee Couplings - MSBT-G (BAR-STOCK)

Metric Tube end as per ISO 8434
and BSPP(G) stud end

ISO fittings



2D Assembly



2D Body

Series	Tube od ØD1	G Male BSP thread	Ød1	i	l1	l2	L1*	L2	S1	S2	Assembly		Body
											Part code	Item no_	Item no_
Light (L) 160 bar	22	G 3/4 A	32	16	27.5	26	44.5	35	32	36	MSBT22LG06-F	460	273
	28	G 1 A	39	18	30.5	30	48.5	38	41	41	MSBT28LG08-F	461	1336
	35	G1 1/4 A	49	20	34.5	34	57.5	45	50	50	MSBT35LG10-F	462	1337
100 bar	42	G1 1/2 A	55	22	40.0	39	63.5	51	55	60	MSBT42LG12-F	463	1338
Heavy (S) 400 bar	20	G 3/4 A	32	16	26.5	26	49.0	37	32	36	MSBT20SG06-F	464	1339
	25	G 1 A	39	18	30.0	30	55.0	42	41	46	MSBT25SG08-F	465	1340
	30	G1 1/4 A	49	20	35.5	34	63.5	49	50	50	MSBT30SG10-F	466	1341
250 bar	38	G1 1/2 A	55	22	41.0	39	72.5	57	55	60	MSBT38SG12-F	467	1342

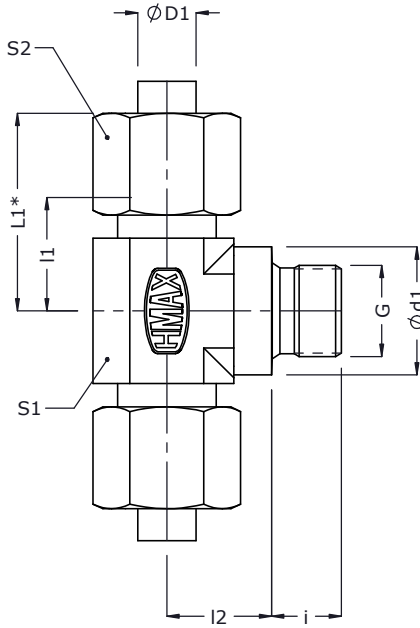
* Dimensions given are approx figures with tightened nut.



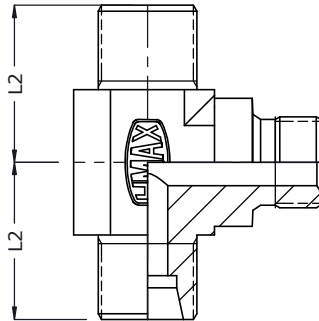
Male Stud Branch Tee Couplings - MSBT-G (FORGED)

Metric Tube end as per ISO 8434 and BSPP(G) stud end

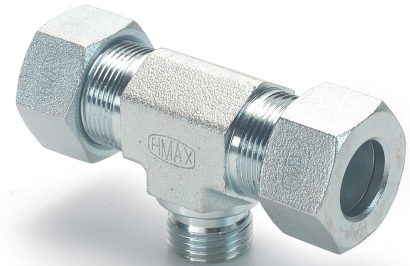
ISO fittings



2D Assembly



2D Body



Series	Tube od ØD1	G Male BSP thread	Ød1	i	l1	l2	L1*	L2	S1	S2	Assembly		Body
											Part code	Item no_	Item no_
Light (L) 160 bar	22	G 3/4 A	32	16	27.5	26	44.5	35	32	36	MSBT22LG06	488	1362
	28	G 1 A	39	18	30.5	30	48.5	38	41	41	MSBT28LG08	489	1363
	35	G1 1/4 A	49	20	34.5	34	57.5	45	50	50	MSBT35LG10	490	1364
100 bar	42	G1 1/2 A	55	22	40.0	39	63.5	51	55	60	MSBT42LG12	490	1365
Heavy (S) 400 bar	20	G 3/4 A	32	16	26.5	26	49.0	37	32	36	MSBT20SG06	492	1366
	25	G 1 A	39	18	30.0	30	55.0	42	41	46	MSBT25SG08	493	1367
250 bar	30	G1 1/4 A	49	20	35.5	34	63.5	49	50	50	MSBT30SG10	494	1368
	38	G1 1/2 A	55	22	41.0	39	72.5	57	55	60	MSBT38SG12	495	1369

* Dimensions given are approx figures with tightened nut.