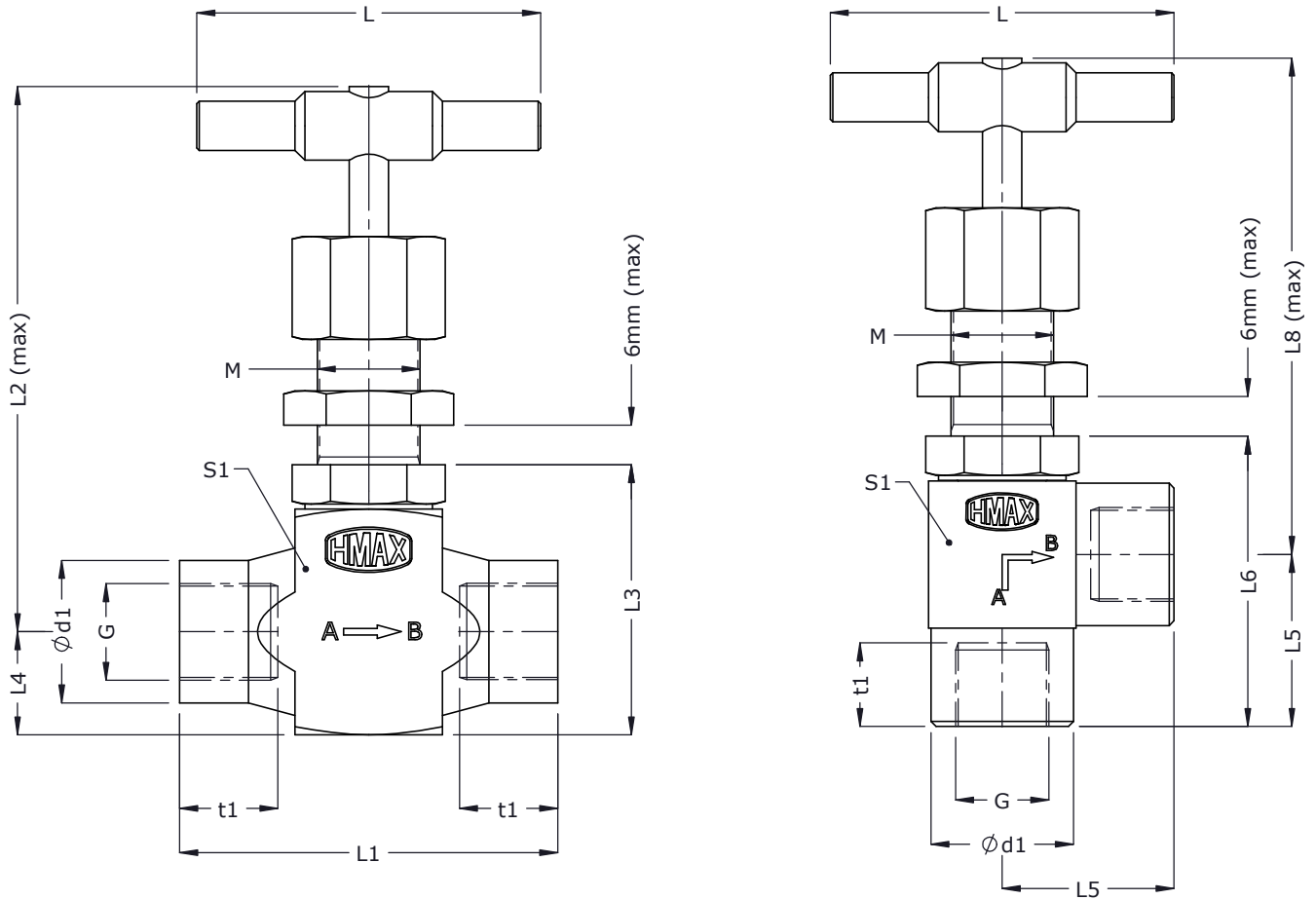




# Shut-Off Valve, seat Type BSP Port Mounting

ISO fittings

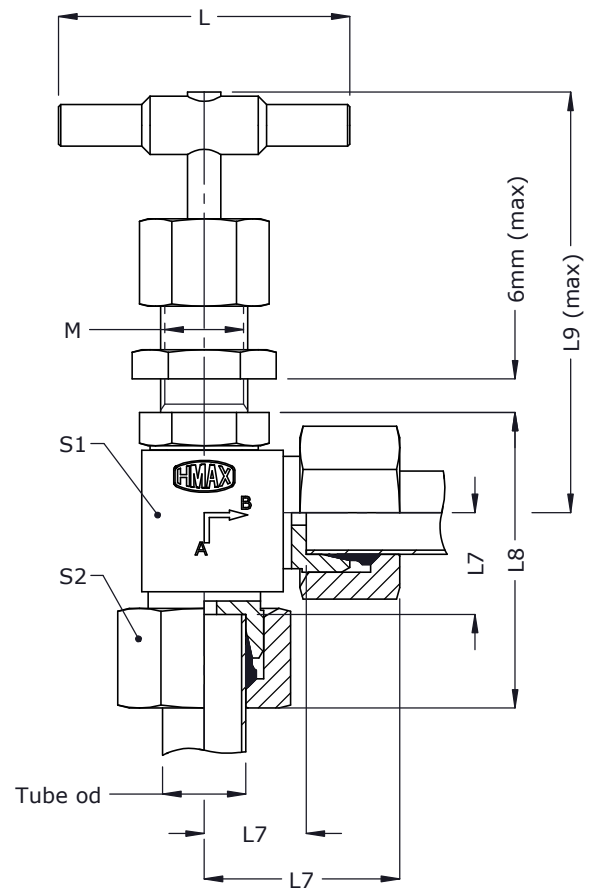
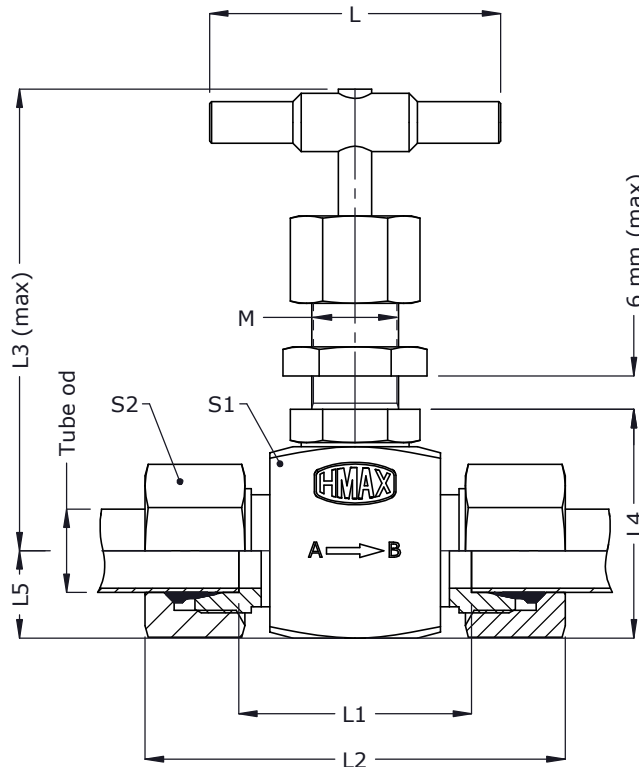


G	M	L	$\phi d1$	t1	L1	L2 (max)	L3	L4	L5	L6	L8 (max)	S1	Part No_Inline	Part No_Right Angle
1/4"	M22x1.5	55	25	17	70.5	102.5	55.5	21.0	30	56.5	103.5	30	SVG02	SVG02RA
3/8"	M22x1.5	55	25	17	70.5	102.5	55.5	21.0	30	56.5	103.5	30	SVG03	SVG03RA
1/2"	M22x1.5	55	29	20	77.0	102.5	55.5	21.0	36	62.5	103.5	30	SVG04	SVG04RA
3/4"	M26x1.5	70	35	22	93.0	116.0	72.0	27.0	45	77.0	110.0	36	SVG06	SVG06RA
1"	M26x1.5	70	45	24	93.0	116.0	72.0	27.0	45	77.0	110.0	46	SVG08	SVG08RA
1.1/4"	M42x2.0	120	58	26	162.0	162.0	105.0	51.5	65	113.0	143.0	60	SVG10	SVG10RA
1.1/2"	M42x2.0	120	58	28	162.0	162.0	105.0	51.5	65	113.0	143.0	60	SVG12	SVG12RA



# Shut-Off Valve, seat Type Tube od Mounting

ISO fittings



Tube od	M	L	L1	L2*	L3 max	L4	L5	L6	L7	L8	L9 max	S1	S2	Part No_Inline	Part No_Right Angle
10	M22x1.5	55	55	88	110.5	54.5	21	22	39.0	65.5	103.5	30	22	SV10	SV10RA
12	M22x1.5	55	55	88	110.5	54.5	21	22	39.0	65.5	103.5	30	24	SV12	SV12RA
16	M22x1.5	55	60	97	110.5	54.5	21	22	41.0	67.5	103.5	30	30	SV16	SV16RA
20	M26x1.5	70	72	115	122.0	71.5	28	28	68.0	77.0	110.0	36	36	SV20	SV20RA
25	M26x1.5	70	69	117	122.0	71.5	28	28	73.5	82.5	110.0	41	46	SV25	SV25RA
30	M42x2.0	120	135	188	162.0	118.0	52	40	63.0	111.0	143.0	60	50	SV30	SV30RA
38	M42x2.0	120	130	192	162.0	118.0	52	40	67.0	115.0	143.0	60	60	SV38	SV38RA

\* Dimensions given are approx figures with tightened nut.



# Shut-Off Valve

ISO fittings

## Technical Specifications

Construction.....	Seat type valve.
Mounting style.....	In-line or Right angle body, line mounted.
Mounting position.....	Optional.
Flow direction.....	As indicated by an arrow on valve body.
Operating pressure.....	315 bar.
Hydraulic medium.....	Mineral oil.
Viscosity range.....	10 cSt to 380 cSt.
Fluid temperature range.....	-20 °C to +80 °C.
Fluid cleanliness requirement.....	As per ISO 19/16 or better.