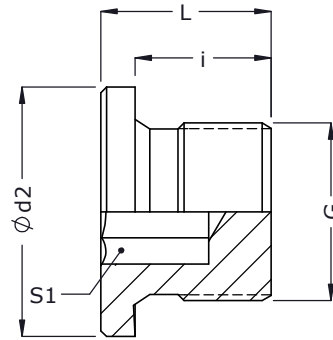


SHP - G

Socket Head Plug
Male thread : BSPP (G) - ISO 228



2D Body

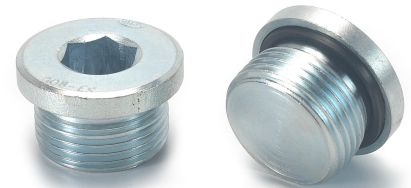
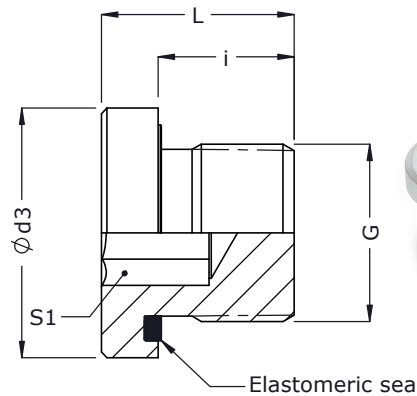
'G' Male thread BSPP	$\phi d2$	L	i	S1	Part code	Item no_
G 1/8	14	11	8	5	SHPG01	277
G 1/4	18	15	12	6	SHPG02	219
G 3/8	22	15	14	8	SHPG03	245
G 1/2	26	18	16	10	SHPG04	246
G 3/4	32	20	16	12	SHPG06	247
G 1	39	21	16	17	SHPG08	248
G 1.1/4	49	21	16	22	SHPG10	278
G 1.1/2	55	21	16	24	SHPG12	1173

S1 - Hex Broach Size

SHP - G - ES

Socket Head Plug with Elastomeric seal
Male thread : BSPP (G) - ISO 228

For, Elastomeric Seal details Refer page No_ 82.



2D Body

'G' Male thread BSPP	$\phi d3$	L	i	S1	Part code	Item no_
G 1/8	14	13	8	5	SHPG01ES	1886
G 1/4	19	17	12	6	SHPG02ES	279
G 3/8	22	17	12	8	SHPG03ES	280
G 1/2	27	20	14	10	SHPG04ES	281
G 3/4	32	22	16	12	SHPG06ES	946
G 1	40	24	16	17	SHPG08ES	1887
G 1.1/4	50	24	16	22	SHPG10ES	282
G 1.1/2	55	24	16	24	SHPG12ES	294

S1 - Hex Broach Size