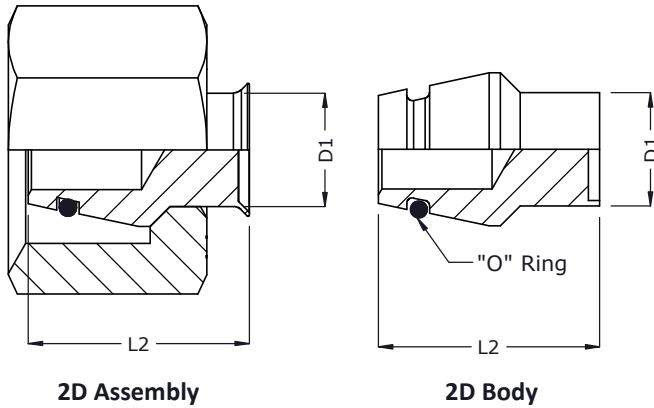




# Blanking Plugs for 24 ° Tubes Ends - BP

ISO fittings

For Metric Tube ends (24 °) as per ISO 8434



Series	Tube od D1	L2	"O" Ring ID x CSD	Assembly		Body
				Part code	Item no_	Item no_
<b>Light (L)</b> 250 bar	6	18.5	4.0 x 1.5	BP06L	1106	469
	8	18.0	6.0 x 1.5	BP08L	1107	470
	10	19.5	7.5 x 1.5	BP10L	1108	1077
	12	19.5	9.0 x 1.5	BP12L	1109	319
	15	19.0	12 x 2.0	BP15L	1110	473
<b>160 bar</b>	18	20.5	15 x 2.0	BP18L	1112	320
	22	21.5	20 x 2.0	BP22L	1113	1078
<b>100 bar</b>	28	24.0	26 x 2.0	BP28L	1114	1079
	35	27.5	32 x 2.5	BP35L	1115	1080
	42	28.0	38 x 2.5	BP42L	1116	1081
<b>Heavy (S)</b> 630 bar	6	18.5	4.0 x 1.5	BP06S	1117	469
	8	18.0	6.0 x 1.5	BP08S	1118	470
	10	19.5	7.5 x 1.5	BP10S	1119	1077
	12	19.5	9.0 x 1.5	BP12S	1120	319
<b>400 bar</b>	16	21.5	12.0 x 2.0	BP16S	1121	318
	20	26.0	16.3 x 2.4	BP20S	1122	471
	25	28.0	20.3 x 2.4	BP25S	1123	472
<b>250 bar</b>	30	34.5	25.3 x 2.4	BP30S	1124	1082
	38	38.5	33.3 x 2.4	BP38S	1125	1083

\* Dimensions given are approx figures with tightened nut.