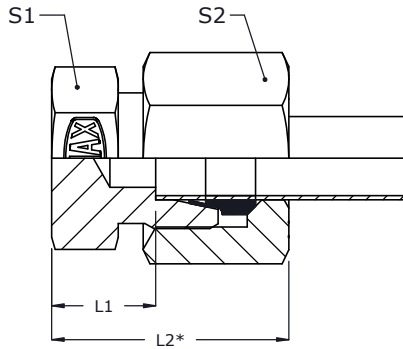




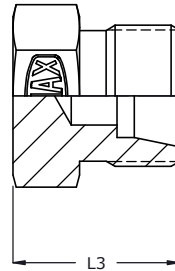
For Metric Tubes

Blanking Ends for Tubes - BE

ISO fittings



2D Assembly



2D Body



Series	Tube od D1	L1	L2*	L3	S1	S2	Assembly		Body
							Part code	Item no_	Item no_
Light (L) 250 bar	6	8.0	23.5	15	12	14	BE06L	1126	1067
	8	8.0	23.0	15	14	17	BE08L	1127	099
	10	9.0	24.5	16	17	19	BE10L	1128	100
	12	10.0	25.0	17	19	22	BE12L	1129	058
	15	11.0	27.0	18	22	27	BE15L	1130	609
160 bar	18	11.5	28.5	19	27	32	BE18L	1131	1068
	22	13.5	30.5	21	30	36	BE22L	1132	057
100 bar	28	14.5	32.5	22	36	41	BE28L	1133	1069
	35	16.5	39.5	27	46	50	BE35L	1134	1070
	42	19.0	42.5	30	55	60	BE42L	1135	1071
Heavy (S) 630 bar	6	13.0	28.5	20	14	17	BE06S	1136	1072
	8	13.0	28.0	20	17	19	BE08S	1137	611
	10	12.5	29.5	20	19	22	BE10S	1138	610
	12	14.5	31.0	22	22	24	BE12S	1139	612
400 bar	16	15.5	34.5	24	24	30	BE16S	1140	614
	20	17.5	40.0	28	30	36	BE20S	1141	1073
	25	18.0	43.0	30	36	46	BE25S	1142	615
250 bar	30	22.5	50.5	36	46	50	BE30S	1143	616
	38	23.0	54.5	39	55	60	BE38S	1144	1074

* Dimensions given are approx figures with tightened nut.