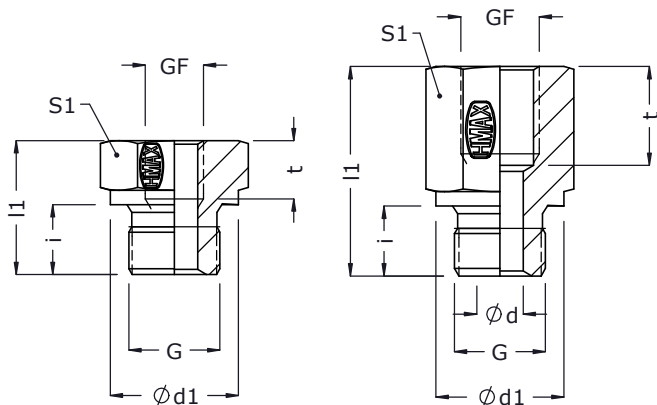




Male Female Adaptors - MFA-G

ISO fittings

Male thread :BSPP(G) ISO 8434
 Female thread :BSPP(G)



2D Body

Working Pressure (bar)	G Male BSP thread	GF Female BSP thread	Ø d1	Ø d	i	l1	t	S1	Part code	Item no_
630 bar	G 1/8 A	G 1/4	14	4	8	31.0	17.0	19	MFAG01G02	597
	G 1/8 A	G 3/8	14	4	8	32.0	17.0	24	MFAG01G03	1955
630 bar	G 1/4 A	G 1/8	18	5	12	28.0	12.0	19	MFAG02G01	1956
	G 1/4 A	G 3/8	18	5	12	36.0	17.0	24	MFAG02G03	564
	G 1/4 A	G 1/2	18	5	12	40.0	20.0	30	MFAG02G04	1957
	G 1/4 A	G 3/4	18	5	12	43.0	22.0	36	MFAG02G06	1958
360 bar	G 3/8 A	G 1/8	22	--	12	22.5	8.0	22	MFAG03G01	569
	G 3/8 A	G 1/4	22	8	12	36.0	17.0	22	MFAG03G02	563
	G 3/8 A	G 1/2	22	8	12	41.0	20.0	30	MFAG03G04	1959
400 bar	G 3/8 A	G 3/4	22	8	12	44.0	22.0	36	MFAG03G06	1960
630 bar	G 1/2 A	G 1/4	26	--	14	24.0	12.0	27	MFAG04G02	566
	G 1/2 A	G 3/8	26	12	14	36.0	17.0	27	MFAG04G03	1961
400 bar	G 1/2 A	G 3/4	26	12	14	46.0	22.0	36	MFAG04G06	1962
	G 1/2 A	G 1	26	12	14	49.0	24.5	41	MFAG04G08	1963
250 bar	G 1/2 A	G1.1/4	26	10	14	53.0	26.5	55	MFAG04G10	1964
400 bar	G 3/4 A	G 1/4	32	--	16	26.0	12.0	32	MFAG06G02	1965
	G 3/4 A	G 3/8	32	--	16	26.0	12.0	32	MFAG06G03	311
	G 3/4 A	G 1/2	32	16	16	41.0	20.0	32	MFAG06G04	565
	G 3/4 A	G1	32	16	16	51.0	24.5	41	MFAG06G08	1176
250 bar	G 3/4 A	G1.1/4	32	16	16	55.0	26.5	55	MFAG06G10	1966
	G 3/4 A	G1.1/2	32	16	16	57.0	28.5	60	MFAG06G12	1967
400 bar	G 1 A	G 1/4	39	--	18	29.0	12.0	41	MFAG08G02	1968
	G 1 A	G 3/8	39	--	18	29.0	12.0	41	MFAG08G03	1969
	G 1 A	G 1/2	39	--	18	29.0	14.0	41	MFAG08G04	1970
	G 1 A	G 3/4	39	20	18	47.0	22.0	41	MFAG08G06	1971
250 bar	G 1 A	G1.1/4	39	20	18	57.0	26.5	55	MFAG08G10	1972
	G 1 A	G1.1/2	39	20	18	59.0	28.5	60	MFAG08G12	1973
250 bar	G1.1/4 A	G 1/2	49	--	20	32.0	14.0	50	MFAG10G04	1974
	G1.1/4 A	G 3/4	49	--	20	32.0	16.0	50	MFAG10G06	1975
	G1.1/4 A	G 1	49	25	20	52.0	24.5	50	MFAG10G08	1976
	G1.1/4 A	G1.1/2	49	25	20	60.0	28.5	60	MFAG10G12	1977
250 bar	G1.1/2 A	G 1/2	55	--	22	36.0	14.0	55	MFAG12G04	1978
	G1.1/2 A	G 3/4	55	--	22	36.0	16.0	55	MFAG12G06	1979
	G1.1/2 A	G 1	55	--	22	36.0	18.0	55	MFAG12G08	1980
	G1.1/2 A	G1.1/4	55	32	22	58.0	26.5	55	MFAG12G10	1981