

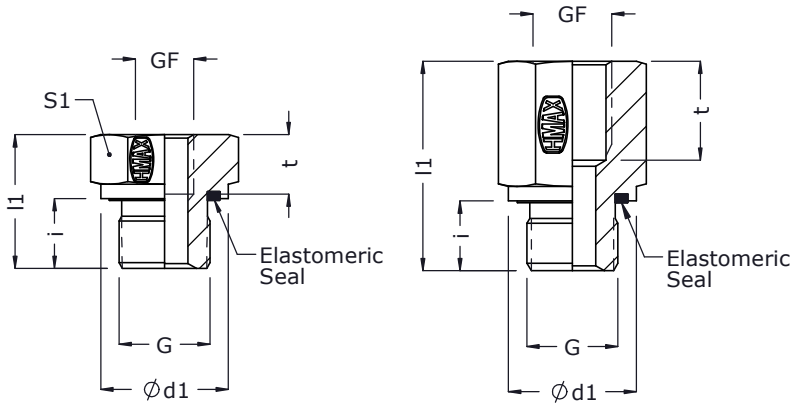


# Male Female Adaptors - MFA-G-ES

Male thread : BSPP(G) DIN 3852, Part 11  
with Elastomeric Seal (Type E)  
Female thread : BSPP(G)

ISO fittings

For, Elastomeric Seal details Refer page No\_ 82.



2D Body

Working Pressure (bar)	G Male BSP thread	GF Female BSP thread	Ød1	Ød	i	l1	t	S1	Part code	Item no_
630 bar	G 1/8 A	G 1/4	14	4	8	31.0	17.0	19	MFAG01G02ES	2525
	G 1/8 A	G 3/8	14	4	8	32.0	17.0	24	MFAG01G03ES	2526
630 bar	G 1/4 A	G 1/8	18	5	12	28.0	12.0	19	MFAG02G01ES	2527
	G 1/4 A	G 3/8	18	5	12	36.0	17.0	24	MFAG02G03ES	2528
	G 1/4 A	G 1/2	18	5	12	40.0	20.0	30	MFAG02G04ES	2529
	G 1/4 A	G 3/4	18	5	12	43.0	22.0	36	MFAG02G06ES	2530
360 bar	G 3/8 A	G 1/8	22	--	12	22.5	8.0	22	MFAG03G01ES	2531
	G 3/8 A	G 1/4	22	8	12	36.0	17.0	22	MFAG03G02ES	2532
	G 3/8 A	G 1/2	22	8	12	41.0	20.0	30	MFAG03G04ES	2533
400 bar	G 3/8 A	G 3/4	22	8	12	44.0	22.0	36	MFAG03G06ES	2534
630 bar	G 1/2 A	G 1/4	26	--	14	24.0	12.0	27	MFAG04G02ES	2535
	G 1/2 A	G 3/8	26	12	14	36.0	17.0	27	MFAG04G03ES	2536
400 bar	G 1/2 A	G 3/4	26	12	14	46.0	22.0	36	MFAG04G06ES	2537
	G 1/2 A	G 1	26	12	14	49.0	24.5	41	MFAG04G08ES	2538
250 bar	G 1/2 A	G1.1/4	26	10	14	53.0	26.5	55	MFAG04G10ES	2539
400 bar	G 3/4 A	G 1/4	32	--	16	26.0	12.0	32	MFAG06G02ES	2540
	G 3/4 A	G 3/8	32	--	16	26.0	12.0	32	MFAG06G03ES	2541
	G 3/4 A	G 1/2	32	16	16	41.0	20.0	32	MFAG06G04ES	2542
	G 3/4 A	G1	32	16	16	51.0	24.5	41	MFAG06G08ES	1111
250 bar	G 3/4 A	G1.1/4	32	16	16	55.0	26.5	55	MFAG06G10ES	2543
	G 3/4 A	G1.1/2	32	16	16	57.0	28.5	60	MFAG06G12ES	2544
400 bar	G 1 A	G 1/4	39	--	18	29.0	12.0	41	MFAG08G02ES	2545
	G 1 A	G 3/8	39	--	18	29.0	12.0	41	MFAG08G03ES	2546
	G 1 A	G 1/2	39	--	18	29.0	14.0	41	MFAG08G04ES	2547
	G 1 A	G 3/4	39	20	18	47.0	22.0	41	MFAG08G06ES	1112
250 bar	G 1 A	G1.1/4	39	20	18	57.0	26.5	55	MFAG08G10ES	2548
	G 1 A	G1.1/2	39	20	18	59.0	28.5	60	MFAG08G12ES	2549
250 bar	G1.1/4 A	G 1/2	49	--	20	32.0	14.0	50	MFAG10G04ES	2550
	G1.1/4 A	G 3/4	49	--	20	32.0	16.0	50	MFAG10G06ES	1118
	G1.1/4 A	G 1	49	25	20	52.0	24.5	50	MFAG10G08ES	1127
	G1.1/4 A	G1.1/2	49	25	20	60.0	28.5	60	MFAG10G12ES	2551
250 bar	G1.1/2 A	G 1/2	55	--	22	36.0	14.0	55	MFAG12G04ES	2552
	G1.1/2 A	G 3/4	55	--	22	36.0	16.0	55	MFAG12G06ES	2553
	G1.1/2 A	G 1	55	--	22	36.0	18.0	55	MFAG12G08ES	2554
	G1.1/2 A	G1.1/4	55	32	22	58.0	26.5	55	MFAG12G10ES	2555