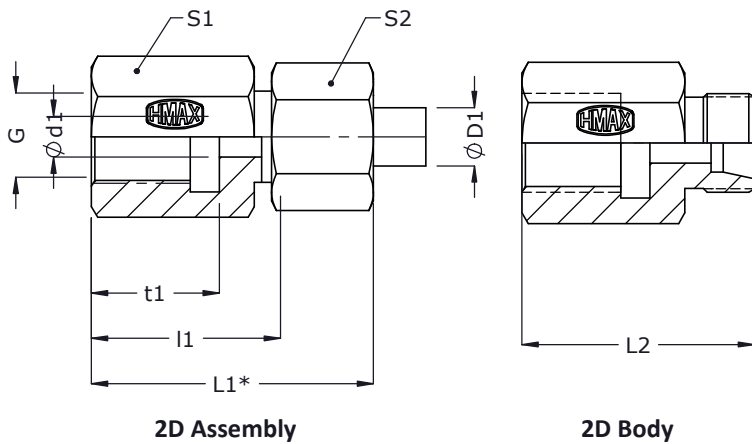




# Straight Female Couplings - FSC-G

ISO fittings

Metric Tube end as per ISO 8434  
Female BSPP(G) thread



Series	Tube od $\phi D1$	G Male BSP thread	$\phi d1$	t1	l1	L1*	L2	S1	S2	Assembly		Body
										Part code	Item no_	Item no_
<b>Light (L) 250 bar</b>	6	G 1/8 A	4	12.0	19.0	34.5	26.0	14	14	FSC06LG01	569	1442
	8	G 1/4 A	6	17.0	24.0	39.0	31.0	19	17	FSC08LG02	570	1443
	10	G 1/4 A	8	17.0	25.0	40.5	32.0	19	19	FSC10LG02	571	1444
	12	G 3/8 A	10	17.0	26.0	41.0	33.0	24	22	FSC12LG03	572	1445
	15	G 1/2 A	12	20.0	31.0	47.0	38.0	27	27	FSC15LG04	573	1456
<b>160 bar</b>	18	G 1/2 A	15	20.0	30.5	47.5	38.0	27	32	FSC18LG04	574	1447
	22	G 3/4 A	19	22.0	35.5	52.5	43.0	36	36	FSC22LG06	575	1448
<b>100 bar</b>	28	G 1 A	24	24.5	38.0	56.0	45.5	41	41	FSC28LG08	576	1449
	35	G1 1/4 A	30	26.5	41.0	64.0	51.5	55	50	FSC35LG10	577	1450
	42	G1 1/2 A	36	28.5	42.5	66.0	53.5	60	60	FSC42LG12	578	1451
<b>Heavy (S) 630 bar</b>	6	G 1/4 A	4	17.0	26.0	41.5	33.0	19	17	FSC06SG02	579	1452
	8	G 1/4 A	5	17.0	26.0	41.0	33.0	19	19	FSC08SG02	580	1453
	10	G 3/8 A	7	17.0	26.5	43.5	34.0	24	22	FSC10SG03	581	1454
	12	G 3/8 A	8	17.0	26.5	43.0	34.0	24	24	FSC12SG03	582	1455
<b>400 bar</b>	16	G 1/2 A	12	20.0	31.5	50.5	40.0	30	30	FSC16SG04	583	1124
	20	G 3/4 A	16	22.0	34.5	57.0	45.0	36	36	FSC20SG06	584	1456
	25	G 1 A	20	24.5	37.5	62.5	49.5	41	46	FSC25SG08	585	1457
<b>250 bar</b>	30	G1 1/4 A	25	26.5	42.0	70.0	55.5	55	50	FSC30SG10	586	1458
	38	G1 1/2 A	32	28.5	43.5	75.0	59.5	60	60	FSC38SG12	587	521

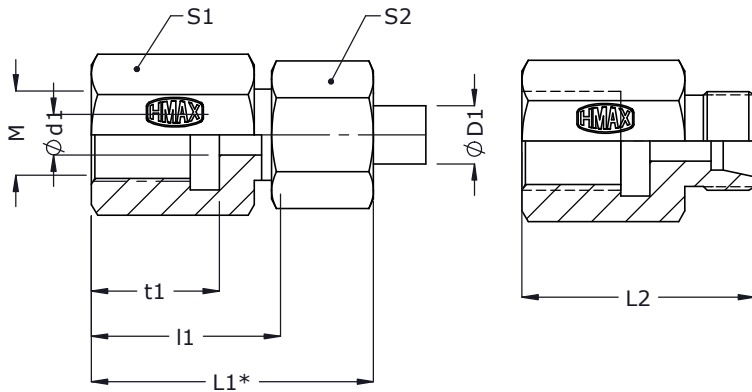
\* Dimensions given are approx figures with tightened nut.



# Straight Female Couplings - FSC-M

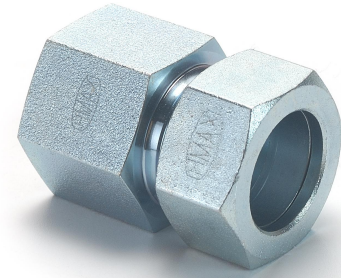
ISO fittings

Metric Tube end as per ISO 8434  
Female Metric (M) thread



2D Assembly

2D Body



Series	Tube od D1	M Female Metric thread	Ød1	t1	l1	L1*	L2	S1	S2	Assembly		Body
										Part code	Item no_	Item no_
<b>Light (L)</b> 250 bar	6	M10 x 1.0	4	12.5	19.5	35.0	26.5	14	14	FSC06LM10	588	1460
	8	M12 x 1.5	6	17.0	24.0	39.0	31.0	17	17	FSC08LM12	589	1461
	10	M14 x 1.5	8	17.0	25.0	40.5	32.0	19	19	FSC10LM14	590	1462
	12	M16 x 1.5	10	17.0	26.0	41.0	33.0	22	22	FSC12LM16	591	1463
	15	M18 x 1.5	12	17.0	28.0	44.0	35.0	24	27	FSC15LM18	592	1464
<b>160 bar</b>	18	M22 x 1.5	15	19.0	29.5	46.5	37.0	30	32	FSC18LM22	593	1465
	22	M26 x 1.5	19	21.0	34.5	51.5	42.0	32	36	FSC22LM26	594	1466
<b>100 bar</b>	28	M33 x 2.0	24	24.0	37.5	55.5	45.0	41	41	FSC28LM33	595	1467
	35	M42 x 2.0	30	26.0	40.5	63.5	51.0	55	50	FSC35LM42	596	1468
	42	M48 x 2.0	36	28.0	42.0	65.5	53.0	60	60	FSC42LM48	597	1469
<b>Heavy (S)</b> 630 bar	6	M12 x 1.5	4	17.0	26.0	41.5	33.0	17	17	FSC06SM12	598	1470
	8	M14 x 1.5	5	17.0	26.0	41.0	33.0	19	19	FSC08SM14	599	1471
	10	M16 x 1.5	7	17.0	26.5	43.5	34.0	22	22	FSC10SM16	560	1472
	12	M18 x 1.5	8	17.0	27.5	44.0	35.0	24	24	FSC12SM18	561	1473
<b>400 bar</b>	16	M22 x 1.5	12	19.0	30.5	49.5	39.0	30	30	FSC16SM22	562	1474
	20	M27 x 2.0	16	22.0	34.5	57.0	45.0	36	36	FSC20SM27	563	1475
	25	M33 x 2.0	20	24.0	37.0	62.0	49.0	41	46	FSC25SM33	564	1476
<b>250 bar</b>	30	M42 x 2.0	25	26.0	41.5	69.5	55.0	55	50	FSC30SM42	565	1477
	38	M48 x 2.0	32	28.0	43.0	74.5	59.0	60	60	FSC38SM48	566	1478

\* Dimensions given are approx figures with tightened nut.