

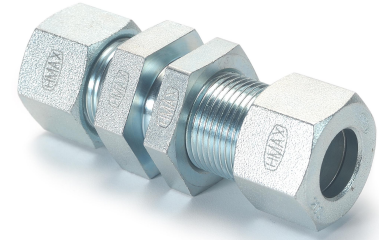
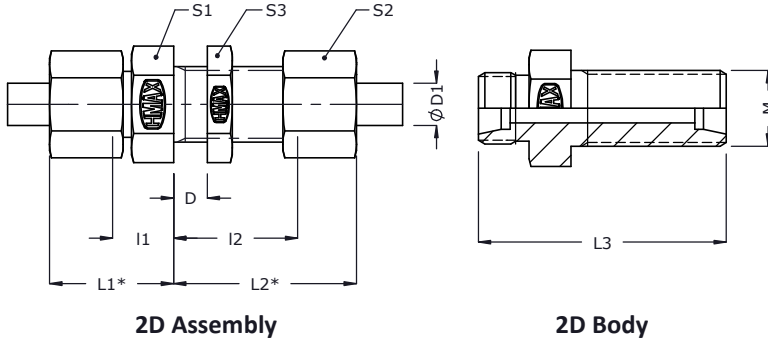


# Straight Bulkhead Couplings - SBC

ISO fittings

Metric Tube end as per ISO 8434

Metric Tube end / Metric Tube end  
 D = 16 mm (max)  
 Lock Nut according ISO 8434-1  
 Refer page of lock nut (84) for details



Series	Tube od $\phi D1$	Metric M	I1	I2	L1*	L2*	L3	S1	S2	S3	Assembly		Body
											Part code	Item no_	Item no_
<b>Light (L)</b> 250 bar	6	M12 x 1.5	7	27.0	22.5	42.5	48	17	14	17	SBC6L	130	332
	8	M14 x 1.5	8	27.0	23.0	42.0	49	19	17	19	SBC8L	131	988
	10	M16 x 1.5	10	28.0	25.5	43.5	52	22	19	22	SBC10L	132	989
	12	M18 x 1.5	10	29.0	25.0	44.0	53	24	22	24	SBC12L	133	819
	15	M22 x 1.5	12	31.0	28.0	47.0	57	27	27	30	SBC15L	134	823
<b>160 bar</b>	18	M26 x 1.5	13.5	32.5	30.5	49.5	61	32	32	36	SBC18L	135	331
	22	M30 x 2.0	16.5	34.5	33.5	51.5	66	36	36	41	SBC22L	136	824
<b>100 bar</b>	28	M36 x 2.0	18.5	35.5	36.5	53.5	69	41	41	46	SBC28L	137	330
	35	M45 x 2.0	18.5	36.5	41.5	59.5	76	50	50	55	SBC35L	138	916
	42	M52 x 2.0	19	36.0	42.5	59.5	77	60	60	65	SBC42L	139	950
<b>Heavy (S)</b> 630 bar	6	M14 x 1.5	12	29.0	27.5	44.5	55	19	17	19	SBC6S	140	990
	8	M16 x 1.5	13	29.0	28.0	44.0	56	22	19	22	SBC8S	141	345
	10	M18 x 1.5	14.5	29.5	31.5	46.5	59	24	22	24	SBC10S	142	425
	12	M20 x 1.5	14.5	30.5	31.0	47.0	60	27	24	27	SBC12S	143	310
<b>400 bar</b>	16	M24 x 1.5	16.5	31.5	35.5	50.5	65	32	30	32	SBC16S	144	940
	20	M30 x 2.0	17.5	33.5	40.0	56.0	72	41	36	41	SBC20S	145	433
	25	M36 x 2.0	20	35.0	45.0	60.0	79	46	46	46	SBC25S	146	818
<b>250 bar</b>	30	M42 x 2.0	21.5	37.5	49.5	65.5	86	50	50	50	SBC30S	147	991
	38	M52 x 2.0	22	37.0	53.5	68.5	91	65	60	65	SBC38S	148	992

\* Dimensions given are approx figures with tightened nut.