

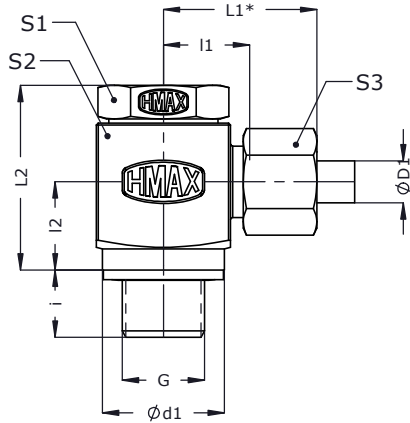


Banjo Couplings - BC-G

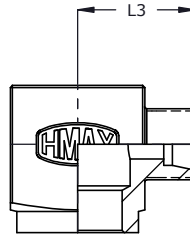
(Banjo Body - BBD)
(Bar stock)

ISO fittings

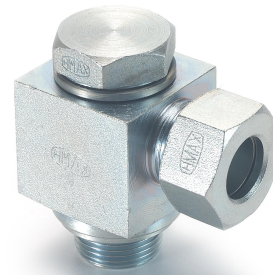
Metric Tube end as per ISO 8434
Male stud - BSPP(G) thread



2D Assembly



2D Body



Series	Tube od ØD1	BSP thread G	Ød1	i	l1	l2	L1*	L2	L3	S1	S2	S3	Assembly		Body
													Part code	Item no.	Item no.
Light (L) 250 bar	6	G 1/8 A	15	8	12.5	12.0	27.5	28.0	19.5	19	19	14	BC6LG01	682	0474
	8	G 1/4 A	20	12	14.0	15.0	29.0	33.0	21.0	19	22	17	BC8LG02	683	1051
	10	G 1/4 A	20	12	15.0	15.0	31.0	33.0	22.0	19	22	19	BC10LG02	684	1052
	12	G 3/8 A	24	12	17.5	18.0	32.5	40.0	24.5	22	27	22	BC12LG03	685	1053
	15	G 1/2 A	29	14	20.0	21.0	36.0	45.0	27.0	27	30	27	BC15LG04	686	1054
160 bar	18	G 1/2 A	29	14	19.5	21.0	37.0	45.0	27.0	27	30	32	BC18LG04	687	0308
	22	G 3/4 A	35	16	27.0	24.0	44.5	53.0	34.5	32	41	36	BC22LG06	688	1055
100 bar	28	G 1 A	43	18	29.5	29.5	48.0	63.5	37.0	41	46	41	BC28LG08	689	1056
	35	G1 1/4 A	53	20	35.0	33.0	57.5	74.0	45.5	50	55	50	BC35LG10	690	1057
	42	G1 1/2 A	59	22	40.0	38.5	63.0	83.0	51.0	60	70	60	BC42LG12	691	1058
Heavy (S) 400 bar	6	G 1/4 A	20	12	16.0	15.0	31.0	33.0	23.0	19	22	17	BC6SG02	692	1059
	8	G 1/4 A	20	12	16.0	15.0	31.0	33.0	23.0	19	22	19	BC8SG02	693	1060
	10	G 3/8 A	24	12	18.0	18.0	35.5	40.0	25.5	22	27	22	BC10SG03	694	1061
	12	G 3/8 A	24	12	18.0	18.0	34.5	40.0	25.5	22	27	24	BC12SG03	695	1062
400 bar	16	G 1/2 A	29	14	21.5	21.0	41.0	45.0	30.0	27	32	30	BC16SG04	696	1063
	20	G 3/4 A	35	16	28.0	24.0	50.5	53.0	38.5	32	41	36	BC20SG06	697	1064
	25	G 1 A	43	18	31.0	29.5	56.0	63.5	43.0	41	50	46	BC25SG08	698	0131
250 bar	30	G1 1/4 A	53	20	36.5	33.0	65.0	74.0	50.0	50	60	50	BC30SG10	699	1065
	38	G1 1/2 A	59	22	41.0	38.5	73.0	83.0	57.0	60	70	60	BC38SG12	700	1066

* Dimensions given are approx figures with tightened nut.