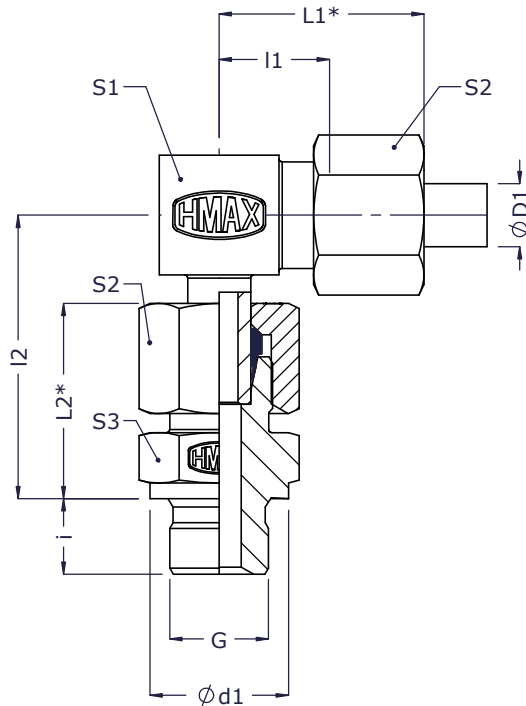




Swivel Stud Elbow Couplings - SEC (BAR - STOCK)

ISO fittings

Metric Tube end as per ISO 8434
Male stud - BSP (G) threads



2D Assembly

Series	Tube od ØD1	G Male BSP thread	i	l1	l2	L1*	L2*	S1	S2	S3	Assembly	
											Part code	Item no_
Light (L) 250 bar	6	G 1/8	8	12.0	34.5	27.5	24.0	12	14	14	SEC6L-F	893
	8	G 1/4	12	14.0	37.5	29.0	25.0	14	17	19	SEC8L-F	894
	10	G 1/4	12	15.0	40.0	30.5	26.5	17	19	19	SEC10L-F	895
	12	G 3/8	12	17.0	42.0	32.0	27.5	19	22	22	SEC12L-F	896
	15	G 1/2	14	21.0	46.5	37.0	30.0	22	27	27	SEC15L-F	897
160 bar	18	G 1/2	14	23.5	50.0	40.5	31.5	27	32	27	SEC18L-F	898
	22	G 3/4	16	27.5	55.0	44.5	33.5	30	36	32	SEC22L-F	899
100 bar	28	G 1	18	30.5	59.0	48.5	33.5	36	41	41	SEC28L-F	900
	35	G1 1/4	20	34.5	68.5	57.5	40.5	46	50	50	SEC35L-F	901
	42	G1 1/2	22	40.0	75.0	63.5	42.5	55	60	55	SEC42L-F	902
Heavy (S) 630 bar	6	G 1/4	12	16.0	40.0	31.5	28.5	14	17	19	SEC6S-F	903
	8	G 1/4	12	17.0	42.5	32.0	30.0	17	19	19	SEC8S-F	904
	10	G 3/8	12	17.5	45.0	34.5	32.0	19	22	22	SEC10S-F	905
	12	G 3/8	12	21.5	48.0	38.0	33.5	22	24	22	SEC12S-F	906
400 bar	16	G 1/2	14	24.5	55.0	43.5	37.5	24	30	27	SEC16S-F	907
	20	G 3/4	16	26.5	65.0	49.0	43.0	30	36	32	SEC20S-F	908
	25	G 1	18	30.0	73.0	55.0	48.0	36	46	41	SEC25S-F	909
250 bar	30	G1 1/4	20	35.5	78.5	63.5	51.5	46	50	50	SEC30S-F	910
	38	G1 1/2	22	41.0	89.0	72.5	57.5	55	60	55	SEC38S-F	911

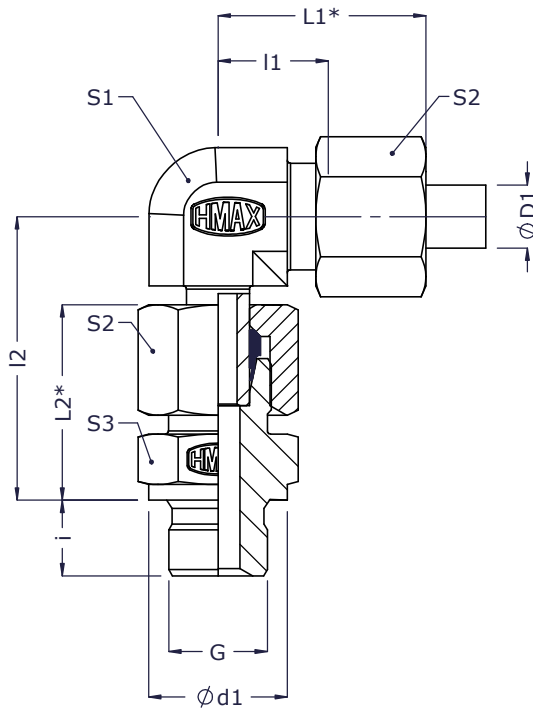
* Dimensions given are approx figures with tightened nut.



Swivel Stud Elbow Couplings - SEC (FORGED)

ISO fittings

Metric Tube end as per ISO 8434
Male stud - BSPP (G) threads



2D Assembly

Series	Tube od ØD1	G Male BSP thread	i	l1	l2	L1*	L2*	S1	S2	S3	Assembly	
											Part code	Item no_
Light (L) 250 bar	6	G 1/8	8	12.0	34.5	27.5	24.0	12	14	14	SEC6L	912
	8	G 1/4	12	14.0	37.5	29.0	25.0	14	17	19	SEC8L	913
	10	G 1/4	12	15.0	40.0	30.5	26.5	17	19	19	SEC10L	914
	12	G 3/8	12	17.0	42.0	32.0	27.5	19	22	22	SEC12L	915
	15	G 1/2	14	21.0	46.5	37.0	30.0	22	27	27	SEC15L	916
160 bar	18	G 1/2	14	23.5	50.0	40.5	31.5	27	32	27	SEC18L	917
	22	G 3/4	16	27.5	55.0	44.5	33.5	30	36	32	SEC22L	918
100 bar	28	G 1	18	30.5	59.0	48.5	33.5	36	41	41	SEC28L	919
	35	G1 1/4	20	34.5	68.5	57.5	40.5	46	50	50	SEC35L	920
	42	G1 1/2	22	40.0	75.0	63.5	42.5	55	60	55	SEC42L	921
Heavy (S) 630 bar	6	G 1/4	12	16.0	40.0	31.5	28.5	14	17	19	SEC6S	922
	8	G 1/4	12	17.0	42.5	32.0	30.0	17	19	19	SEC8S	923
	10	G 3/8	12	17.5	45.0	34.5	32.0	19	22	22	SEC10S	924
	12	G 3/8	12	21.5	48.0	38.0	33.5	22	24	22	SEC12S	925
400 bar	16	G 1/2	14	24.5	55.0	43.5	37.5	24	30	27	SEC16S	926
	20	G 3/4	16	26.5	65.0	49.0	43.0	30	36	32	SEC20S	927
	25	G 1	18	30.0	73.0	55.0	48.0	36	46	41	SEC25S	928
250 bar	30	G1 1/4	20	35.5	78.5	63.5	51.5	46	50	50	SEC30S	929
	38	G1 1/2	22	41.0	89.0	72.5	57.5	55	60	55	SEC38S	930

* Dimensions given are approx figures with tightened nut.