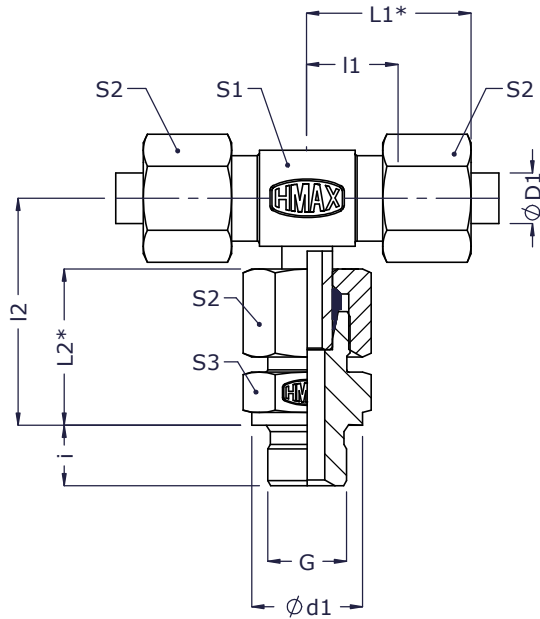




Swivel Stud Branch Tee Couplings - SBTC (BAR - STOCK)

ISO fittings

Metric Tube end as per ISO 8434
Male stud - BSPP (G) threads



2D Assembly

Series	Tube od ØD1	G Male BSP thread	i	l1	l2	L1*	L2*	S1	S2	S3	Assembly	
											Part code	Item no_
Light (L) 250 bar	6	G 1/8	8	12.0	34.5	27.5	24.0	12	14	14	SBTC6L-F	931
	8	G 1/4	12	14.0	37.5	29.0	25.0	14	17	19	SBTC8L-F	932
	10	G 1/4	12	15.0	40.0	30.5	26.5	17	19	19	SBTC10L-F	933
	12	G 3/8	12	17.0	42.0	32.0	27.5	19	22	22	SBTC12L-F	934
	15	G 1/2	14	21.0	46.5	37.0	30.0	22	27	27	SBTC15L-F	935
160 bar	18	G 1/2	14	23.5	50.0	40.5	31.5	27	32	27	SBTC18L-F	936
	22	G 3/4	16	27.5	55.0	44.5	33.5	30	36	32	SBTC22L-F	937
100 bar	28	G 1	18	30.5	59.0	48.5	33.5	36	41	41	SBTC28L-F	938
	35	G1 1/4	20	34.5	68.5	57.5	40.5	46	50	50	SBTC35L-F	939
	42	G1 1/2	22	40.0	75.0	63.5	42.5	55	60	55	SBTC42L-F	940
Heavy (S) 630 bar	6	G 1/4	12	16.0	40.0	31.5	28.5	14	17	19	SBTC6S-F	941
	8	G 1/4	12	17.0	42.5	32.0	30.0	17	19	19	SBTC8S-F	942
	10	G 3/8	12	17.5	45.0	34.5	32.0	19	22	22	SBTC10S-F	943
	12	G 3/8	12	21.5	48.0	38.0	33.5	22	24	22	SBTC12S-F	944
400 bar	16	G 1/2	14	24.5	55.0	43.5	37.5	24	30	27	SBTC16S-F	945
	20	G 3/4	16	26.5	65.0	49.0	43.0	30	36	32	SBTC20S-F	946
	25	G 1	18	30.0	73.0	55.0	48.0	36	46	41	SBTC25S-F	947
250 bar	30	G1 1/4	20	35.5	78.5	63.5	51.5	46	50	50	SBTC30S-F	948
	38	G1 1/2	22	41.0	89.0	72.5	57.5	55	60	55	SBTC38S-F	949

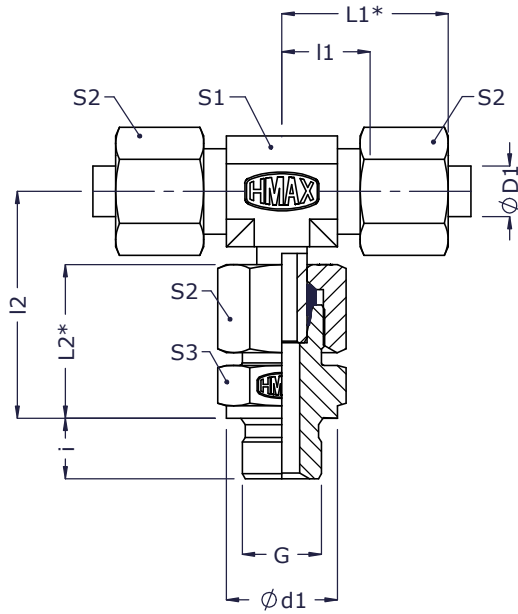
* Dimensions given are approx figures with tightened nut.



Swivel Stud Branch Tee Couplings - SBTC (FORGED)

ISO fittings

Metric Tube end as per ISO 8434
Male stud - BSPP (G) threads



2D Assembly

Series	Tube od ϕ D1	G Male BSP thread	i	l1	l2	L1*	L2*	S1	S2	S3	Assembly	
											Part code	Item no.
Light (L) 250 bar	6	G 1/8	8	12.0	34.5	27.5	24.0	12	14	14	SBTC6L	950
	8	G 1/4	12	14.0	37.5	29.0	25.0	14	17	19	SBTC8L	951
	10	G 1/4	12	15.0	40.0	30.5	26.5	17	19	19	SBTC10L	952
	12	G 3/8	12	17.0	42.0	32.0	27.5	19	22	22	SBTC12L	953
	15	G 1/2	14	21.0	46.5	37.0	30.0	22	27	27	SBTC15L	954
160 bar	18	G 1/2	14	23.5	50.0	40.5	31.5	27	32	27	SBTC18L	955
	22	G 3/4	16	27.5	55.0	44.5	33.5	30	36	32	SBTC22L	956
100 bar	28	G 1	18	30.5	59.0	48.5	33.5	36	41	41	SBTC28L	957
	35	G1 1/4	20	34.5	68.5	57.5	40.5	46	50	50	SBTC35L	958
	42	G1 1/2	22	40.0	75.0	63.5	42.5	55	60	55	SBTC42L	959
Heavy (S) 630 bar	6	G 1/4	12	16.0	40.0	31.5	28.5	14	17	19	SBTC6S	960
	8	G 1/4	12	17.0	42.5	32.0	30.0	17	19	19	SBTC8S	961
	10	G 3/8	12	17.5	45.0	34.5	32.0	19	22	22	SBTC10S	962
	12	G 3/8	12	21.5	48.0	38.0	33.5	22	24	22	SBTC12S	963
400 bar	16	G 1/2	14	24.5	55.0	43.5	37.5	24	30	27	SBTC16S	964
	20	G 3/4	16	26.5	65.0	49.0	43.0	30	36	32	SBTC20S	965
	25	G 1	18	30.0	73.0	55.0	48.0	36	46	41	SBTC25S	966
250 bar	30	G1 1/4	20	35.5	78.5	63.5	51.5	46	50	50	SBTC30S	967
	38	G1 1/2	22	41.0	89.0	72.5	57.5	55	60	55	SBTC38S	968

* Dimensions given are approx figures with tightened nut.