

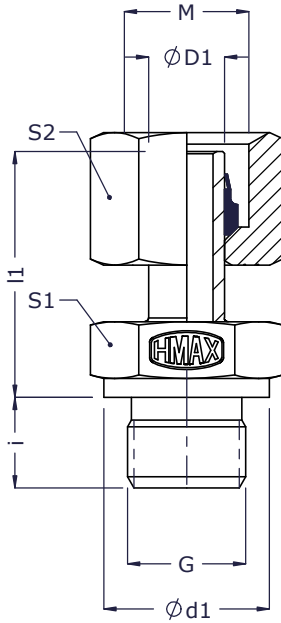


Straight Stud Standpipes - SPA-G-ES

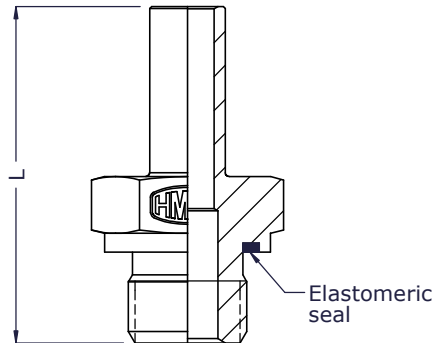
Metric Standpipes
Male stud - BSPP(G) threads
DIN 3852, Part 11 with Elastomeric seal Type - E

ISO fittings

For, Elastomeric Seal details Refer page



2D Assembly



2D Body

Series	Tube od $\phi D1$	G Male BSP thread	M Metric thread	$\phi d1$	i	l1	L	S1	S2	Assembly		Body
										Part code	Item no_	Item no_
Light (L) 250 bar	6	G 1/8 A	M12x1.5	14	8	24.5	32.5	14	14	SPA6LG01ES	1268	2800
	8	G 1/4 A	M14x1.5	18	12	29.5	41.5	19	17	SPA8LG02ES	1269	2801
	10	G 1/4 A	M16x1.5	18	12	27.5	39.5	19	19	SPA10LG02ES	1270	2802
	12	G 3/8 A	M18x1.5	22	12	34.0	46.0	22	22	SPA12LG03ES	1271	2803
	15	G 1/2 A	M22x1.5	26	14	32.0	46.0	27	27	SPA15LG04ES	1272	2804
160 bar	18	G 1/2 A	M26x1.5	26	14	31.5	45.5	27	32	SPA18LG04ES	1273	2805
	22	G 3/4 A	M30x2.0	32	16	32.5	48.5	32	36	SPA22LG06ES	1274	2806
100 bar	28	G 1 A	M36x2.0	39	18	35.0	53.0	41	41	SPA28LG08ES	1275	2807
	35	G1 1/4 A	M45x2.0	49	20	42.5	62.5	50	50	SPA35LG10ES	1276	2808
	42	G1 1/2 A	M52x2.0	55	22	46.5	68.5	55	60	SPA42LG12ES	1277	2809
Heavy (S) 400 bar	6	G 1/4 A	M14x1.5	18	12	27.0	39.0	19	17	SPA6SG02ES	1278	2810
	8	G 1/4 A	M16x1.5	18	12	29.5	51.5	19	19	SPA8SG02ES	1279	2801
	10	G 3/8 A	M18x1.5	22	12	32.0	44.0	22	22	SPA10SG03ES	1280	2811
	12	G 3/8 A	M20x1.5	22	12	34.0	46.0	22	24	SPA12SG03ES	1281	2803
400 bar	16	G 1/2 A	M24x1.5	26	14	37.0	51.0	27	30	SPA16SG04ES	1282	2812
	20	G 3/4 A	M30x2.0	32	16	43.0	59.0	32	36	SPA20SG06ES	1283	2813
	25	G 1 A	M36x2.0	39	18	48.0	66.0	41	46	SPA25SG08ES	1284	2814
250 bar	30	G1 1/4 A	M42x2.0	49	20	51.0	71.0	50	50	SPA30SG10ES	1285	941
	38	G1 1/2 A	M52x2.0	55	22	60.0	82.0	55	60	SPA38SG12ES	1286	943

* Dimensions given are approx figures with tightened nut.