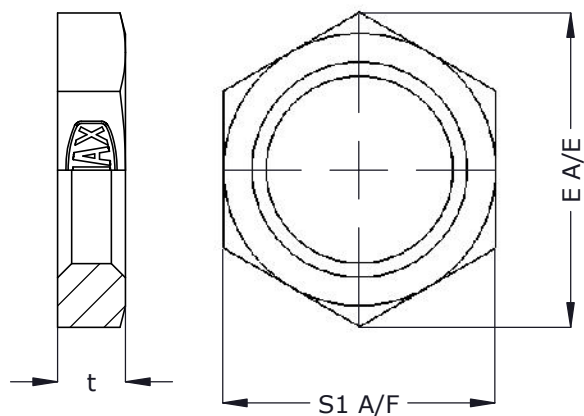




Lock-Nut (LN)

Locknuts for Bulkhead Couplings

ISO fittings



2D Body

Metric	t	S1	E	Part code	Item no_
M12 x 1.5	6	17	19.6	LN12	975
M14 x 1.5	6	19	21.9	LN14	976
M16 x 1.5	6	22	25.4	LN16	977
M18 x 1.5	6	24	27.7	LN18	978
M20 x 1.5	6	27	31.2	LN20	979
M22 x 1.5	7	30	34.6	LN22	980
M24 x 1.5	7	32	36.9	LN24	981
M26 x 1.5	8	36	41.6	LN26	982
M30 x 2.0	9	41	47.3	LN30	983
M36 x 2.0	9	46	53.1	LN36	984
M42 x 2.0	9	50	57.5	LN42	985
M45 x 2.0	9	55	63.5	LN45	986
M52 x 2.0	10	65	75.0	LN52	987