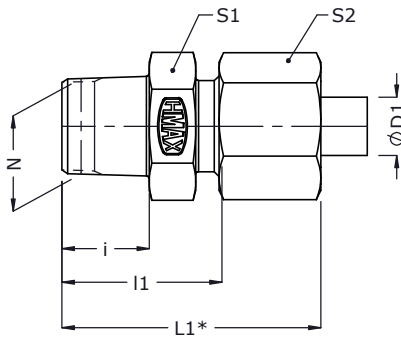




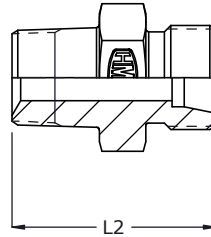
Straight Male Stud Couplings - MSC-N

ISO fittings

Metric Tube end as per ISO 8434
Male NPTF (N) stud end



2D Assembly



2D Body



Series	Tube od ØD1	N Male NPT thread	i	l1	L1*	L2	S1	S2	Assembly		Body
									Part code	Item no_	Item no_
Light (L) 250 bar	6	N 1/8	9.9	17.0	32.5	24	12	14	MSC6LN01	343	1659
	6	N 1/4	15.1	23.0	38.5	30	17	14	MSC6LN02	344	1660
	8	N 1/4	15.1	23.0	38.0	30	17	17	MSC8LN02	345	1681
	10	N 1/4	15.1	24.0	39.5	31	17	19	MSC10LN02	346	1661
	12	N 1/4	15.1	25.0	40.0	32	19	22	MSC12LN02	347	1662
	12	N 3/8	15.2	25.0	40.0	32	19	22	MSC12LN03	348	1663
	12	N 1/2	19.8	30.0	45.0	37	22	22	MSC12LN04	349	1664
	15	N 1/2	19.8	31.0	47.0	38	24	27	MSC15LN04	350	1665
160 bar	18	N 1/2	19.8	31.5	48.5	39	27	32	MSC18LN04	351	1666
	22	N 3/4	20.1	33.5	50.5	41	32	36	MSC22LN06	352	1667
100 bar	28	N 1	25.0	39.5	57.5	47	41	41	MSC28LN08	353	1668
	35	N1 1/4	25.6	40.5	63.5	51	46	50	MSC35LN10	354	1669
	42	N1 1/2	26.0	42.0	65.5	53	55	60	MSC42LN12	355	1670
Heavy (S) 630 bar	6	N 1/4	15.1	28.0	43.5	35	17	17	MSC06SN02	356	1671
	8	N 1/4	15.1	28.0	43.0	35	17	19	MSC08SN02	357	1672
	10	N 1/4	15.1	27.5	44.5	35	19	22	MSC10SN02	358	1673
	10	N 3/8	15.2	27.5	44.5	35	19	22	MSC10SN03	359	343
	12	N 1/4	15.1	29.5	46.0	37	22	24	MSC12SN02	360	1674
	12	N 3/8	15.2	29.5	46.0	37	22	24	MSC12SN03	361	1675
	12	N 1/2	19.8	34.5	51.0	42	22	24	MSC12SN04	362	1676
400 bar	16	N 1/2	19.8	35.5	54.5	44	27	30	MSC16SN04	363	192
	20	N 3/4	20.1	37.5	60.0	48	32	36	MSC20SN06	364	1677
	25	N 1	25.0	45.0	70.0	57	41	46	MSC25SN08	365	1678
250 bar	30	N1 1/4	25.6	46.5	74.5	60	46	50	MSC30SN10	366	1679
	38	N1 1/2	26.0	49.0	80.5	65	55	60	MSC38SN12	367	1680

* Dimensions given are approx figures with tightened nut.