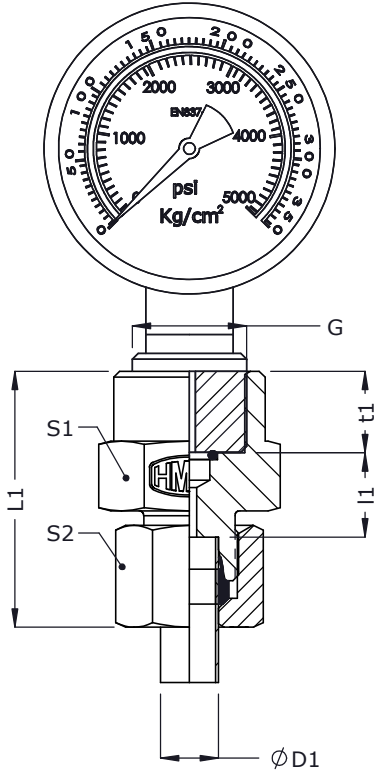




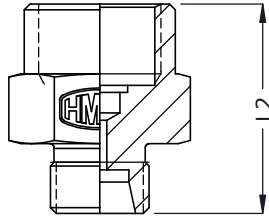
Pressure Gauge Connectors - GA

ISO fittings

Metric Tube end as per ISO 8434
Gauge is not in scope of supply



2D Assembly



2D Body



Series	Tube od ØD1	Connection thread	l1	L1*	t1	L2	S1	S2	Assembly		Body
									Part code	Item no_	Item no_
Light (L) 250 bar	6	G 1/4 A	7.5	37.5	14.5	29	19	14	GA6LG02	1145	1990
	8	G 1/4 A	7.5	37.0	14.5	29	19	17	GA8LG02	1146	1991
	10	G 1/4 A	8.5	38.5	14.5	30	19	19	GA10LG02	1147	371
	12	G 1/4 A	8.5	38.0	14.5	30	19	22	GA12LG02	1148	1992
250 bar	6	G 3/8 A	9.5	41.5	16.5	33	22	14	GA6LG03	1149	1993
	8	G 3/8 A	9.5	41.0	16.5	33	22	17	GA8LG03	1150	599
	10	G 3/8 A	10.5	42.5	16.5	34	22	19	GA10LG03	1151	1994
	12	G 3/8 A	10.5	42.0	16.5	34	22	22	GA12LG03	1152	2003
Heavy (S) 630 bar	6	G 3/8 A	9.5	41.5	16.5	33	22	17	GA6SG03	1153	1995
	8	G 3/8 A	9.5	41.0	16.5	33	22	19	GA8SG03	1154	1996
	10	G 3/8 A	9	42.5	16.5	33	22	22	GA10SG03	1155	1997
	12	G 3/8 A	9	42.0	16.5	33	22	24	GA12SG03	1156	1998
630 bar	6	G 1/2 A	11	46.5	20	36	27	17	GA6SG04	1157	1999
	8	G 1/2 A	11	46.0	20	36	27	19	GA8SG04	1158	2000
	10	G 1/2 A	10.5	47.5	20	36	27	22	GA10SG04	1159	2001
	12	G 1/2 A	10.5	47.0	20	36	27	24	GA12SG04	1160	874

* Dimensions given are approx figures with tightened nut.