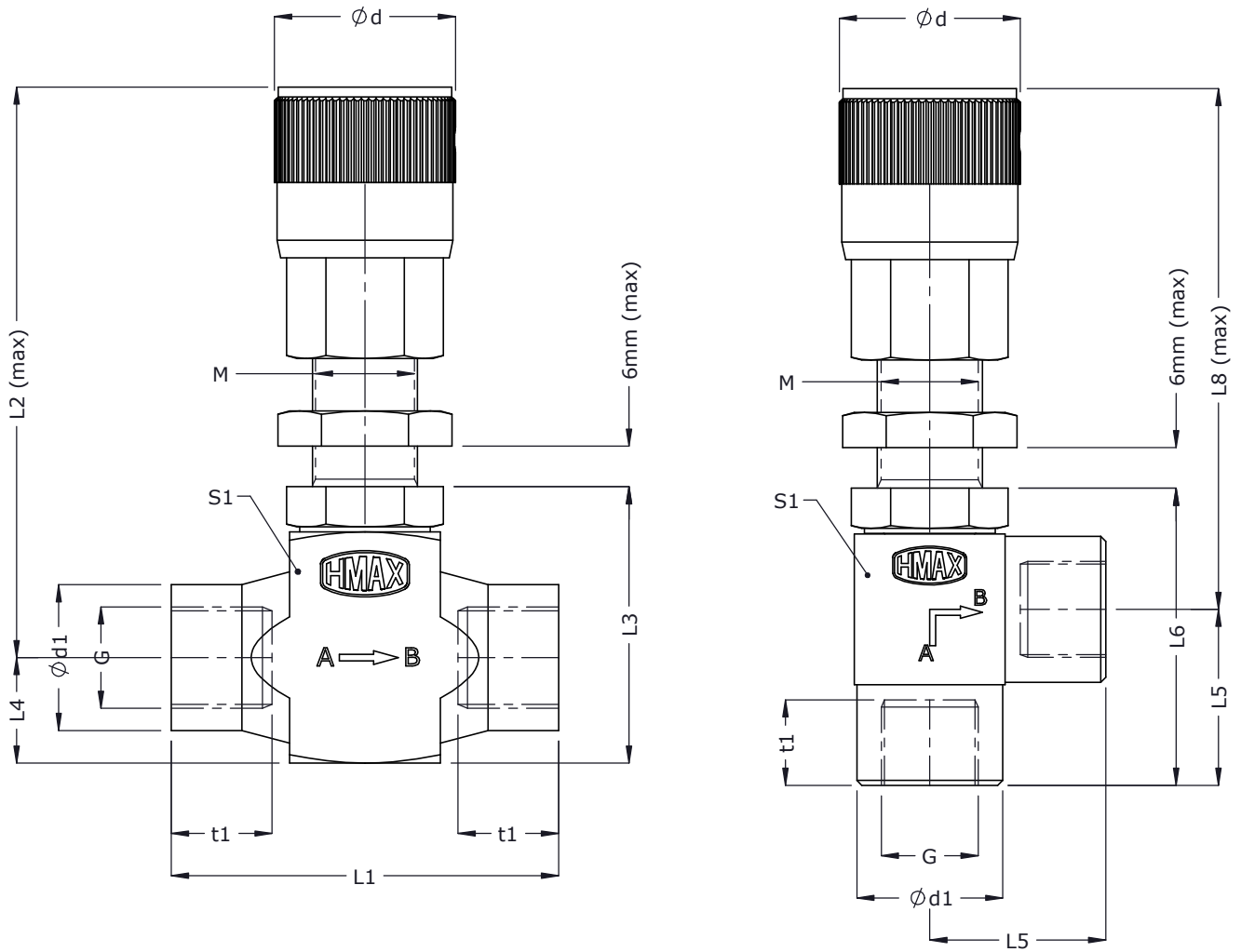




# Needle Valve, seat Type BSP Port Mounting

ISO fittings

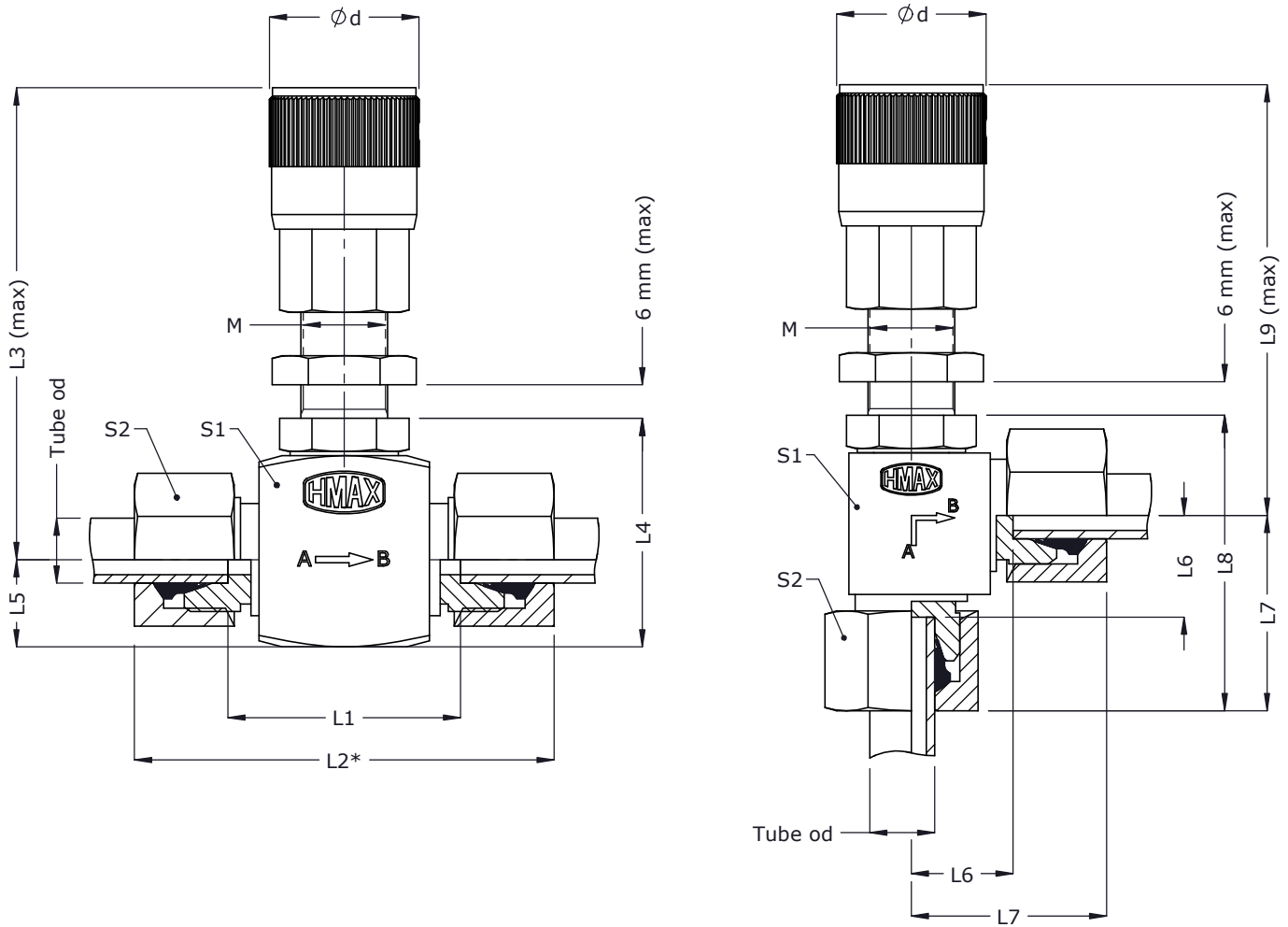


G	M	$\phi d$	$\phi d1$	t1	L1	L2 (max)	L3	L4	L5	L6	L8 (max)	S1	Part No_Inline	Part No_Right Angle
1/4"	M22x1.5	38	25	17	70.5	102.5	55.5	21.0	30	56.5	103.5	30	NVG02	NVG02RA
3/8"	M22x1.5	38	25	17	70.5	102.5	55.5	21.0	30	56.5	103.5	30	NVG03	NVG03RA
1/2"	M22x1.5	38	29	20	77.0	102.5	55.5	21.0	36	62.5	103.5	30	NVG04	NVG04RA
3/4"	M26x1.5	48	35	22	93.0	116.0	72.0	27.0	45	77.0	110.0	36	NVG06	NVG06RA
1"	M26x1.5	48	45	24	93.0	116.0	72.0	27.0	45	77.0	110.0	46	NVG08	NVG08RA
1.1/4"	M42x2.0	60	58	26	162.0	162.0	105.0	51.5	65	113.0	143.0	60	NVG10	NVG10RA
1.1/2"	M42x2.0	60	58	28	162.0	162.0	105.0	51.5	65	113.0	143.0	60	NVG12	NVG12RA



# Needle Valve, seat Type Tube od Mounting

ISO fittings



Tube od	M	$\phi d$	L1	L2*	L3 max	L4	L5	L6	L7	L8	L9 max	S1	S2	Part No_Inline	Part No_Right Angle
10	M22x1.5	38	55	88	110.5	54.5	21	22	39.0	65.5	103.5	30	22	NV10	NV10RA
12	M22x1.5	38	55	88	110.5	54.5	21	22	39.0	65.5	103.5	30	24	NV12	NV12RA
16	M22x1.5	38	60	97	110.5	54.5	21	22	41.0	67.5	103.5	30	30	NV16	NV16RA
20	M26x1.5	48	72	115	122.0	71.5	28	28	68.0	77.0	110.0	36	36	NV20	NV20RA
25	M26x1.5	48	69	117	122.0	71.5	28	28	73.5	82.5	110.0	41	46	NV25	NV25RA
30	M42x2.0	60	135	188	162.0	118.0	52	40	63.0	111.0	143.0	60	50	NV30	NV30RA
38	M42x2.0	60	130	192	162.0	118.0	52	40	67.0	115.0	143.0	60	60	NV38	NV38RA

\* Dimensions given are approx figures with tightened nut.



# Needle Valve

ISO fittings

## Technical Specifications

Construction.....	Seat type valve.
Mounting style.....	In-line or Right angle body, line mounted.
Mounting position.....	Optional.
Flow direction.....	As indicated by an arrow on valve body.
Operating pressure.....	315 bar.
Hydraulic medium.....	Mineral oil.
Viscosity range.....	10 cSt to 380 cSt.
Fluid temperature range.....	-20 °C to +80 °C.
Fluid cleanliness requirement.....	As per ISO 19/16 or better.