

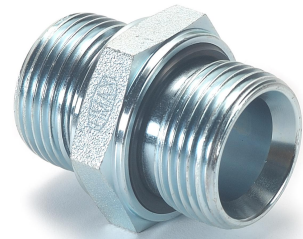
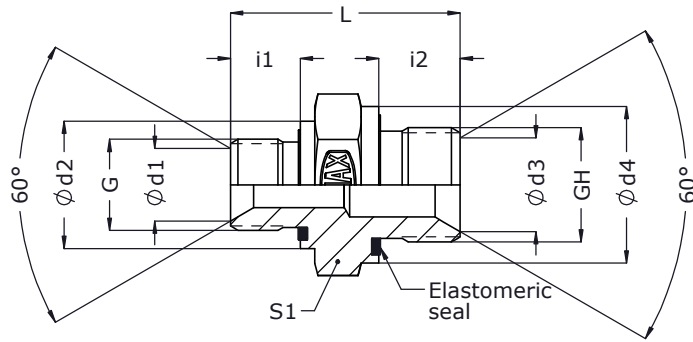


Hose Adaptors - HA-G-ES

ISO fittings

Male thread : BSPP (G) as per - ISO 228
DIN 3852, Part 11 with Elastomeric seal Type - E

For, Elastomeric Seal details Refer page No_ 82.



2D Body

'G' Male thread BSPP	'GH' Male thread BSPP	$\phi d1$	$\phi d2$	$\phi d3$	$\phi d4$	i1	i2	L	S1	Part code	Item no_
G 1/8	G 1/8	7.5	14	7.5	14	8	8	23.0	14	HAG01G01ES	2556
G 1/8	G 1/4	7.5	14	10.4	18	8	11	27.5	19	HAG01G02ES	2557
G 1/4	G 1/4	10.4	18	10.4	18	11	11	32.0	19	HAG02G02ES	1027
G 1/4	G 3/8	10.4	18	14.0	22	11	12	35.5	22	HAG02G03ES	2558
G 1/4	G 1/2	10.4	18	17.5	26	11	14	38.0	27	HAG02G04ES	2559
G 3/8	G 3/8	14.0	22	14.0	22	12	12	36.0	22	HAG03G03ES	1024
G 3/8	G 1/2	14.0	22	17.5	26	12	14	38.5	27	HAG03G04ES	2560
G 3/8	G 3/4	14.0	22	22.9	32	12	16	40.5	32	HAG03G06ES	2561
G 1/2	G 1/2	17.5	26	17.5	26	14	14	41.0	27	HAG04G04ES	1026
G 1/2	G 3/4	17.5	26	22.9	32	14	16	43.0	32	HAG04G06ES	2451
G 1/2	G 1	17.5	26	28.7	39	14	19	48.0	41	HAG04G08ES	2562
G 3/4	G 3/4	22.9	32	22.9	32	16	16	45.0	32	HAG06G06ES	1025
G 3/4	G 1	22.9	32	28.7	39	16	19	50.0	41	HAG06G08ES	2563
G 3/4	G1.1/4	22.9	32	36.8	49	16	20	57.0	50	HAG06G10ES	2564
G 1	G 1	28.7	39	28.7	39	19	19	52.0	41	HAG08G08ES	1110
G 1	G1.1/4	28.7	39	36.8	49	19	20	59.0	50	HAG08G10ES	2565
G 1	G1.1/2	28.7	39	42.7	55	19	22	63.5	55	HAG08G12ES	2566
G1.1/4	G1.1/4	36.8	49	36.8	49	20	20	61.0	50	HAG10G10ES	2567
G1.1/4	G1.1/2	36.8	49	42.7	55	20	22	65.0	55	HAG10G12ES	2568
G1.1/2	G1.1/2	42.7	49	42.7	55	22	22	66.0	55	HAG12G12ES	2569