

MSC 10 S G04 C O N P M

Coupling Type	
Tube couplings	
Straight	SC
Equal Elbow	EE
Equal Tee	ET
Equal Cross	EC
Stud couplings	
Straight Male Stud	MSC
Straight Female Stud	FSC
Male Stud Elbow	MSE
Male Stud Branch Tee	MSBT
Male Stud Run Tee	MSRT
Bulkheads and weld couplings	
Straight Bulkhead	SBC
Elbow Bulkhead	EBC
Weld Bulkhead	WBC
Weld Coupling	WC
Elbow Weld Coupling	EWC
Reducers / Expanders	
Reducing Standpipe	RS
Reducing Standpipe soft seal	RSS
Straight Reducer	SR
Swivel Couplings	
Banjo	BBD
Banjo, soft seal	BBDS
Banjo, Throttle free	TFBBD
Banjo, Rotary	RBBDD
Tee Benjo	TBBD
Straight Stud Standpipe	SPA
Straight Stud Standpipe, soft seal	SPAS
Swivel Elbow	SE
Swivel Elbow, soft seal	SES
Swivel Branch Tee	SBT
Swivel Branch Tee soft seal	SBTS
Swivel Run Tee	SRT
Swivel Run Tee soft sea	SRTS
Blanking Plugs / Ends	
Blanking Plug	BP
Blanking End	BE
Hex Head Plug	HHP
Socket Head Plug	SHP
Misc	
Pressure Gauge Connector	GA
Pressure Gauge Standpipe	SPGA

Tube size
Refer Stud End Table for standard sizes, & stud end combinations.

Pressure Series	
Very Light	LL
Light	L
Heavy	S

Body material	
Omit	Steel
304	SS304
316	SS316

Surface Treatment	
Omit	Zinc Plated and Yellow Chromated
P	Phosphated


Seal Material	
Omit	Nitrile 90°
V	Viton 90°
X	Without Oring

Sub Type Modifier	
Omit	Without Seal
C(WA)	Copper Washer
B(MM)	Metal to Metal Seal
D(BS)	Bonded Seal
E(ES)	Elastomeric Seal
O(OR)	O'ring Sealing

Conection Type	
F	Furrule
W**	Weld Nipple
	** is tube thickness
	Eg: w20 - 2mm wallthickness
X	Without Nut and Ferrule
Y	Without Nut and Ferrule on standpipe
TR	Flare fitting as per ISO 8434-2
TRX	Flare fitting as per ISO 8434-2
OR	ORFS face seal
ORX	ORFS face seal - Body Only

Stud End											Standard Tube size			
BSP Thread		BSPT Thread		SAE Straight Threads(UNF)		NPTF Taper Threads		Metric Thread		Metric Taper Thread (keg)		Standard Combination		
												LL	L	S
G01	G1/8	R01	R1/8			N01	N1/8	M08	M8x1.0	T08	M8x1.0	04		
								M10	M10x1.0	T10	M10x1.0	06		
												08		
		R02	R1/4									10		
												12		
G01	G1/8	R01	R1/8	S04	7/16-20	N01	N1/8	M10	M10x1.0	M10	M10x1.0		06	
G02	G1/4	R02	R1/4			N02	N1/4	M12	M12x1.5	M12	M12x1.5		08	06
								M14	M14x1.5	M14	M14x1.5		10	08
G03	G3/8	R03	R3/8	S06	9/16-18	N03	N3/8	M16	M16x1.5	M16	M16x1.5		12	10
								M18	M18x1.5	M18	M18x1.5			12
G04	G1/2	R04	R1/2	S08	3/4-16	N04	N1/2						15	14
								M22	M22x1.5	M22	M22x1.5		18	16
G06	G3/4	R06	R3/4	S10	7/8-14	N06	N3/4	M27	M27x2.0	M27	M27x2.0		22	20
G08	G1	R08	R1	S12	1.1/16-12	N08	N1	M33	M33x2.0	M33	M33x2.0		28	25
G10	G1.1/4	R10	R1.1/4	S16	1.5/16-12	N10	N1.1/4	M42	M42x2.0	M42	M42x2.0		35	30
G12	G1.1/2	R12	R1.1/2	S20	1.5/8-12	N12	N1.1/2	M48	M48x2.0	M48	M48x2.0		42	38
G16	G2			S24	1.7/8-12			M60	M60x2.0	M60	M60x2.0			
Other Thread size						S02	5/16-24	N00	N1/16	M20	M20x1.5	M20		
						S03	3/8-24							
						S05	1/2-20							
						S14	1.3/16-12							

For Standard Combinations thread size can be omitted. Eg: Male Stud Coupling 10od with G1/2 stud - MSC10SG

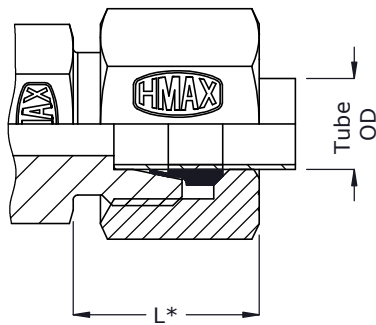
2014	NAME	DATE	PART NUMBER CHART	 hydromax Belgaum-590014,INDIA
DGN	TLH	1.1.14		
APD	PPP	1.1.14	CAT/JAN2014-1	
APD	MPD	1.1.14		



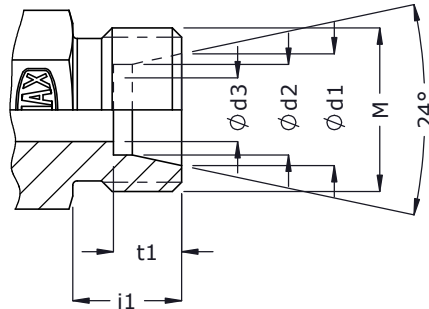
Tube Connection Parts

ISO fittings

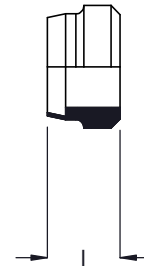
Metric Tube end as per ISO 8434



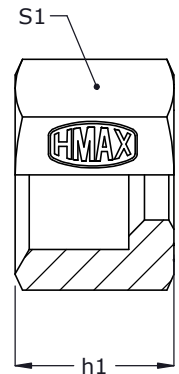
Assembled Component



Dimensions



Ferrule(F)



Nut (N)

Series	Tube OD	DN Size	M	Ød1	Ød2	Ød3	t1	i1	S1	h1	l	* L	Part Code Ferrule	Part Code Nut
LL Very Light NP 100	4	3	M8x1.0	5.0	4	3	4.0	8	10	11.5	7.0	14	F4LL	N4LL
	5	--	M10x1.0	6.5	5	3.5	5.5	8	12	11.5	7.0	14	F5LL	N5LL
	6	4	M10x1.0	7.5	6	4.5	5.5	8	12	12.0	7.0	14	F6LL	N6LL
	8	6	M12x1.0	9.5	8	6	5.5	9	14	12.5	7.0	15	F8LL	N8LL
L Light NP 250	6	4	M12x1.5	8.1	6	4	7.0	10	14	14.5	10.0	18	F6L	N6L
	8	6	M14x1.5	10.1	8	6	7.0	10	17	14.5	9.5	18	F8L	N8L
	10	8	M16x1.5	12.3	10	8	7.0	11	19	15.5	10.0	20	F10L	N10L
	12	10	M18x1.5	14.3	12	10	7.0	11	22	15.5	9.5	19	F12L	N12L
	15	12	M22x1.5	17.3	15	12	7.0	12	27	17.0	10.0	21	F15L	N15L
NP 160	18	16	M26x1.5	20.3	18	15	7.5	12	32	18.0	10.0	22	F18L	N18L
	22	20	M30x2.0	24.3	22	19	7.5	14	36	20.0	10.5	24	F22L	N22L
NP 100	28	25	M36x2.0	30.3	28	24	7.5	14	41	21.0	11.0	25	F28L	N28L
	35	32	M45x2.0	38.0	35	30	10.5	16	50	24.0	13.0	28	F35L	N35L
	42	40	M52x2.0	45.0	42	36	11.0	16	60	24.0	13.0	28	F42L	N42L
S Heavy NP 630	6	3	M14x1.5	8.1	6	4	7.0	12	17	16.5	10.0	20	F6S	N6S
	8	4	M16x1.5	10.1	8	5	7.0	12	19	16.5	9.5	20	F8S	N8S
	10	6	M18x1.5	12.3	10	7	7.5	12	22	17.5	10.0	22	F10S	N10S
	12	8	M20x1.5	14.3	12	8	7.5	12	24	17.5	9.5	21	F12S	N12S
NP 400	16	12	M24x1.5	18.3	16	12	8.5	14	30	20.5	10.0	25	F16S	N16S
	20	16	M30x2.0	22.9	20	16	10.5	16	36	24.0	12.0	28	F20S	N20S
	25	20	M36x2.0	27.9	25	20	12.0	18	46	27.0	12.0	31	F25S	N25S
NP 250	30	25	M42x2.0	33.0	30	25	13.5	20	50	29.0	13.0	35	F30S	N30S
	38	32	M52x2.0	41.0	38	32	16.0	22	60	32.5	13.0	38	F38S	N38S

* Dimensions given are approx figures with tightened nut.

NP - Nominal Pressure