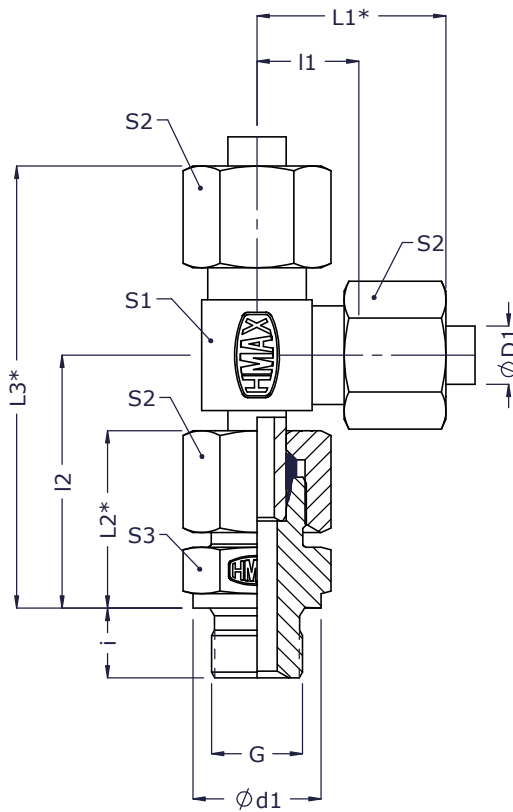




# Swivel Stud Run Tee Couplings - SRTC (BAR - STOCK)

ISO fittings

Metric Tube end as per ISO 8434  
Male stud - BSPP (G) threads



2D Assembly

Series	Tube od $\phi$ D1	G Male BSP thread	i	l1	l2	L1*	L2*	L3*	S1	S2	S3	Assembly	
												Part code	Item no_
<b>Light (L) 250 bar</b>	6	G 1/8	8	12.0	34.5	27.5	24.0	62.0	12	14	14	SRTC6L-F	969
	8	G 1/4	12	14.0	37.5	29.0	25.0	66.5	14	17	19	SRTC8L-F	970
	10	G 1/4	12	15.0	40.0	30.5	26.5	70.5	17	19	19	SRTC10L-F	971
	12	G 3/8	12	17.0	42.0	32.0	27.5	74.0	19	22	22	SRTC12L-F	972
	15	G 1/2	14	21.0	46.5	37.0	30.0	83.5	22	27	27	SRTC15L-F	973
<b>160 bar</b>	18	G 1/2	14	23.5	50.0	40.5	31.5	90.5	27	32	27	SRTC18L-F	974
	22	G 3/4	16	27.5	55.0	44.5	33.5	99.5	30	36	32	SRTC22L-F	975
<b>100 bar</b>	28	G 1	18	30.5	59.0	48.5	33.5	107.5	36	41	41	SRTC28L-F	976
	35	G1 1/4	20	34.5	68.5	57.5	40.5	126.0	46	50	50	SRTC35L-F	977
	42	G1 1/2	22	40.0	75.0	63.5	42.5	138.5	55	60	55	SRTC42L-F	978
<b>Heavy (S) 630 bar</b>	6	G 1/4	12	16.0	40.0	31.5	28.5	71.5	14	17	19	SRTC6S-F	979
	8	G 1/4	12	17.0	42.5	32.0	30.0	74.5	17	19	19	SRTC8S-F	980
	10	G 3/8	12	17.5	45.0	34.5	32.0	79.5	19	22	22	SRTC10S-F	981
	12	G 3/8	12	21.5	48.0	38.0	33.5	86.0	22	24	22	SRTC12S-F	982
<b>400 bar</b>	16	G 1/2	14	24.5	55.0	43.5	37.5	98.5	24	30	27	SRTC16S-F	983
	20	G 3/4	16	26.5	65.0	49.0	43.0	114.0	30	36	32	SRTC20S-F	984
	25	G 1	18	30.0	73.0	55.0	48.0	128.0	36	46	41	SRTC25S-F	985
<b>250 bar</b>	30	G1 1/4	20	35.5	78.5	63.5	51.5	142.0	46	50	50	SRTC30S-F	986
	38	G1 1/2	22	41.0	89.0	72.5	57.5	161.5	55	60	55	SRTC38S-F	987

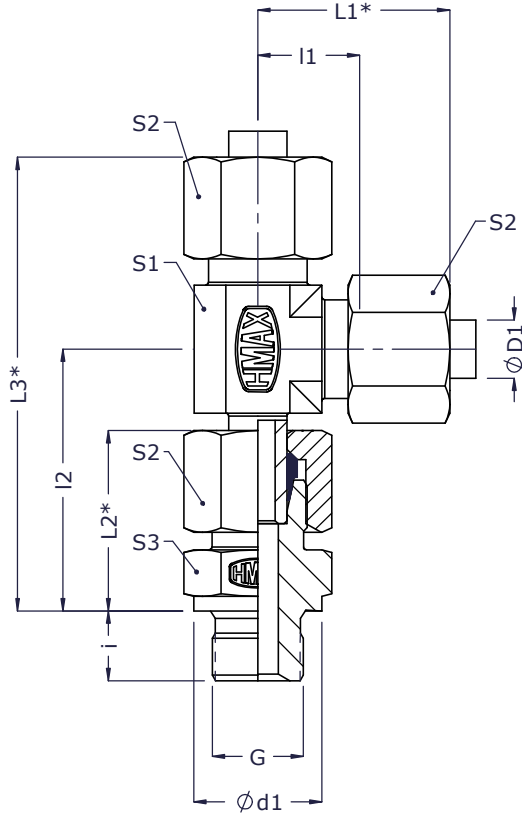
\* Dimensions given are approx figures with tightened nut.



# Swivel Stud Run Tee Couplings -SRTC (FORGED)

Metric Tube end as per ISO 8434  
Male stud - BSPP (G) threads

ISO fittings



2D Assembly



Series	Tube od ØD1	G Male BSP thread	i	l1	l2	L1*	L2*	L3*	S1	S2	S3	Assembly	
												Part code	Item no_
<b>Light (L)</b> 250 bar	6	G 1/8	8	12.0	34.5	27.5	24.0	62.0	12	14	14	SRTC6L	988
	8	G 1/4	12	14.0	37.5	29.0	25.0	66.5	14	17	19	SRTC8L	989
	10	G 1/4	12	15.0	40.0	30.5	26.5	70.5	17	19	19	SRTC10L	990
	12	G 3/8	12	17.0	42.0	32.0	27.5	74.0	19	22	22	SRTC12L	991
	15	G 1/2	14	21.0	46.5	37.0	30.0	83.5	22	27	27	SRTC15L	992
<b>160 bar</b>	18	G 1/2	14	23.5	50.0	40.5	31.5	90.5	27	32	27	SRTC18L	993
	22	G 3/4	16	27.5	55.0	44.5	33.5	99.5	30	36	32	SRTC22L	994
<b>100 bar</b>	28	G 1	18	30.5	59.0	48.5	33.5	107.5	36	41	41	SRTC28L	995
	35	G1 1/4	20	34.5	68.5	57.5	40.5	126.0	46	50	50	SRTC35L	996
	42	G1 1/2	22	40.0	75.0	63.5	42.5	138.5	55	60	55	SRTC42L	997
<b>Heavy (S)</b> 630 bar	6	G 1/4	12	16.0	40.0	31.5	28.5	71.5	14	17	19	SRTC6S	998
	8	G 1/4	12	17.0	42.5	32.0	30.0	74.5	17	19	19	SRTC8S	999
	10	G 3/8	12	17.5	45.0	34.5	32.0	79.5	19	22	22	SRTC10S	1000
	12	G 3/8	12	21.5	48.0	38.0	33.5	86.0	22	24	22	SRTC12S	1002
<b>400 bar</b>	16	G 1/2	14	24.5	55.0	43.5	37.5	98.5	24	30	27	SRTC16S	1003
	20	G 3/4	16	26.5	65.0	49.0	43.0	114.0	30	36	32	SRTC20S	1004
	25	G 1	18	30.0	73.0	55.0	48.0	128.0	36	46	41	SRTC25S	1005
<b>250 bar</b>	30	G1 1/4	20	35.5	78.5	63.5	51.5	142.0	46	50	50	SRTC30S	1006
	38	G1 1/2	22	41.0	89.0	72.5	57.5	161.5	55	60	55	SRTC38S	1007

\* Dimensions given are approx figures with tightened nut.