

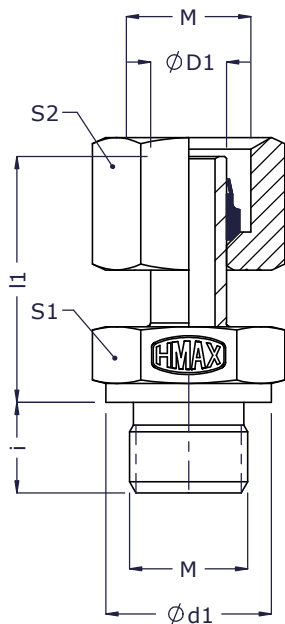


Straight Stud Standpipes - SPA-M-ES

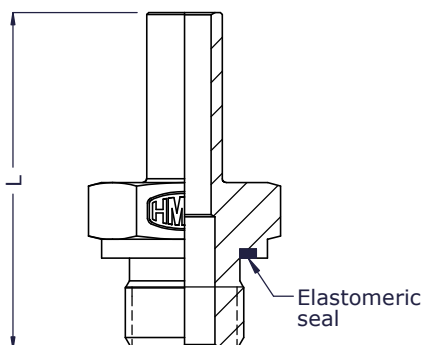
Metric Standpipes
Male stud - Metric (M) threads
DIN 3852, Part 11 with Elastomeric seal Type - E

ISO fittings

For, Elastomeric Seal details Refer page



2D Assembly



2D Body

Series	Tube od ØD1	M Male Metric thread	M Metric thread	Ød1	i	l1	L	S1	S2	Assembly		Body
										Part code	Item no_	Item no_
Light (L) 250 bar	6	M10x1.0	M12x1.5	14	8	24.5	32.5	14	14	SPA6LM10ES	1287	2815
	8	M12x1.5	M14x1.5	18	12	29.5	41.5	19	17	SPA8LM12ES	1288	2816
	10	M14x1.5	M16x1.5	18	12	27.5	39.5	19	19	SPA10LM14ES	1289	2817
	12	M16x1.5	M18x1.5	22	12	34.0	46.0	22	22	SPA12LM16ES	1290	2818
	15	M18x1.5	M22x1.5	26	14	32.0	46.0	27	27	SPA15LM18ES	1291	2819
160 bar	18	M22x1.5	M26x1.5	26	14	31.5	45.5	27	32	SPA18LM22ES	1292	2820
	22	M26x1.5	M30x2.0	32	16	32.5	48.5	32	36	SPA22LM26ES	1293	2821
100 bar	28	M33x2.0	M36x2.0	39	18	35.0	53.0	41	41	SPA28LM33ES	1294	2822
	35	M42x2.0	M45x2.0	49	20	42.5	62.5	50	50	SPA35LM42ES	1295	2823
	42	M48x2.0	M52x2.0	55	22	46.5	68.5	55	60	SPA42LM48ES	1296	2824
Heavy (S) 400 bar	6	M12x1.5	M14x1.5	18	12	27.0	39.0	19	17	SPA6SM12ES	1297	2825
	8	M14x1.5	M16x1.5	18	12	29.5	51.5	19	19	SPA8SM14ES	1298	2826
	10	M16x1.5	M18x1.5	22	12	32.0	44.0	22	22	SPA10SM16ES	1299	2827
	12	M18x1.5	M20x1.5	22	12	34.0	46.0	22	24	SPA12SM18ES	1300	2828
400 bar	16	M22x1.5	M24x1.5	26	14	37.0	51.0	27	30	SPA16SM22ES	1301	2829
	20	M27x2.0	M30x2.0	32	16	43.0	59.0	32	36	SPA20SM27ES	1302	2830
	25	M33x2.0	M36x2.0	39	18	48.0	66.0	41	46	SPA25SM33ES	1303	2831
250 bar	30	M42x2.0	M42x2.0	49	20	51.0	71.0	50	50	SPA30SM42ES	1304	2832
	38	M48x2.0	M52x2.0	55	22	60.0	82.0	55	60	SPA38SM48ES	1305	2833

* Dimensions given are approx figures with tightened nut.